

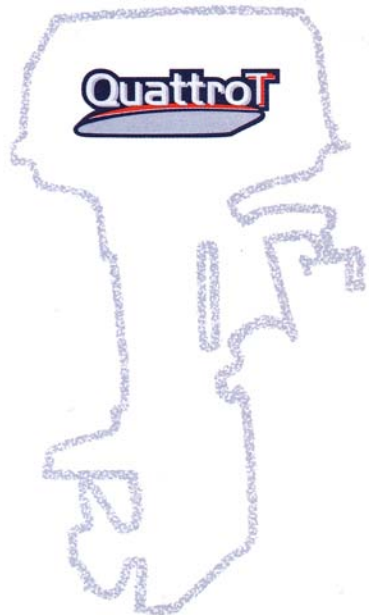
Dolphin 9.9

Production year 2008

Production année 2008

PARTS CATALOGUE

CATALOGUE DE PIÈCES DÉTACHÉES



ENGINE STARTING SERIAL NUMBER

Dolphin 9.9 : 1003985



A1

FOREWORD

This Parts Catalogue is related to the parts for the model(s) on the cover page. When you are ordering replacement parts, please refer to this Parts Catalogue and quote both part numbers and part names correctly.

1. Modifications or additions which have been made after the issue of the Parts Catalogue will be announced in the Parts News.
It is advisable that you make the necessary corrections to the Parts Catalogue according to the Parts News.

2. Abbreviations

The following abbreviations are used in this Parts Catalogue.

“UR” Use specified parts number.

“UN” Use as many as needed.

“AP” Alternate Parts

“LM” Locally Made (Parts need to be ordered locally)

“F#” Frame No. (Applicable machine No.)

“O/S” Over Size

3. The number of components for assembly

- Parts, which are to be supplied in an assembly, are listed with a dot (.) in front of the part name as shown below.
- The numeral appearing to the right of each component part indicates the quantity of parts for each assembly unit.

PART NO.	DESCRIPTION	Q'TY	REMARKS
2F5-83310-60	FRONT FLASHER LIGHT ASSY	2	
115-83311-60	.BULB (6V-18W)	1	

4. Applicable colours of graphics are represented in the “REMARKS” as shown below.

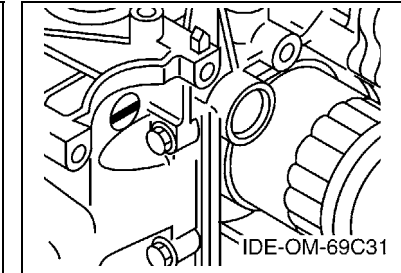
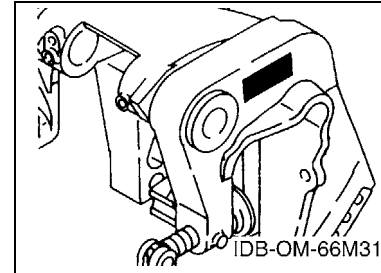
PART NO.	DESCRIPTION	Q'TY	REMARKS
2N4-24110-00-X5	FUEL TANK COMP.	2	MXR
3J1-24240-10	.GRAPHIC, FUEL TANK	1	FOR MXR

5. Note that the illustrations for reference in finding parts numbers are not to be used for assembling. When assembling, please use the applicable service manual.

6. The asterisk (*) before a reference number indicates modified items after the first edition.

7. Applicable Serial No.

Engine Serial No.



8. Applicable Engine Starting Serial No.

Model	Serial No.	Model	Serial No.
F9.9C	66NK-1003985		

9. Applicable Colour Code

Abbreviation	Colour Name	Colour Code
DBNM2	DARK BLUISH GRAY METALLIC 2	004D

10. Quantity Column Information

Column No.	Name Of Q'ty Column	Applicable Model
1	MH	F9.9CMH

CONTENTS

SHEET1/2

TOP COWLING	A4
CYLINDER & CRANKCASE 1	A5
CRANKSHAFT & PISTON	A7
CYLINDER & CRANKCASE 2	B1
VALVE	B2
INTAKE	B3
CARBURETOR	B5
OIL PUMP	B6
FUEL	B7
STARTER	C2
GENERATOR	C4
ELECTRICAL 1	C5
ELECTRICAL 2	C7
STARTING MOTOR	D1
BOTTOM COWLING	D2
STEERING	D4
CONTROL	D6
REMO CON ATTACHMENT	E1
BRACKET 1	E2
BRACKET 2	E4
UPPER CASING	E6
OIL PAN	E7
LOWER CASING & DRIVE 1	F1
LOWER CASING & DRIVE 2	F4
FUEL TANK	F6
STEERING GUIDE	F7

INDEX

NUMERICAL INDEX	G1
-----------------------	----

SHEET2/2

REMOTE CONTROL BOX	A4*
REMOTE CONTROL ASSY	A5*
REPAIR KIT 1	B1*
REPAIR KIT 2	B2*
REPAIR KIT 3	B3*

INDEX

NUMERICAL INDEX	G1*
-----------------------	-----

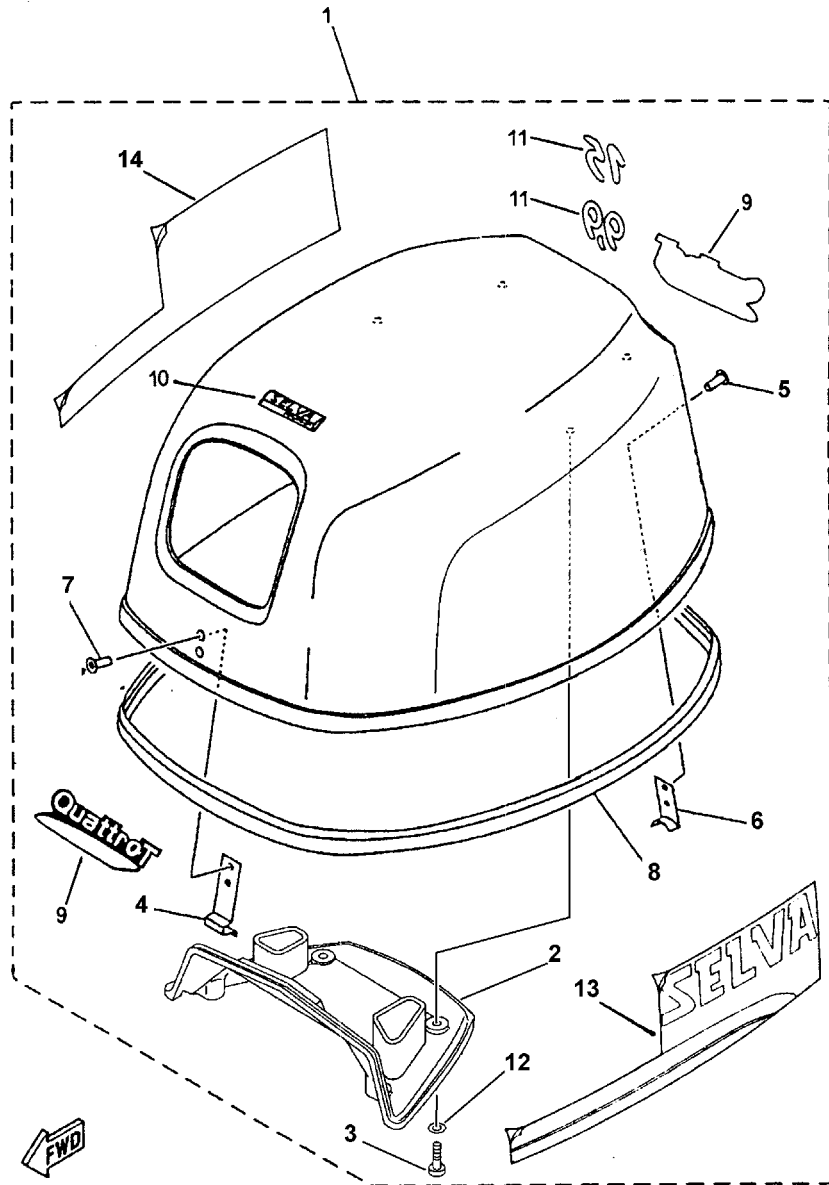
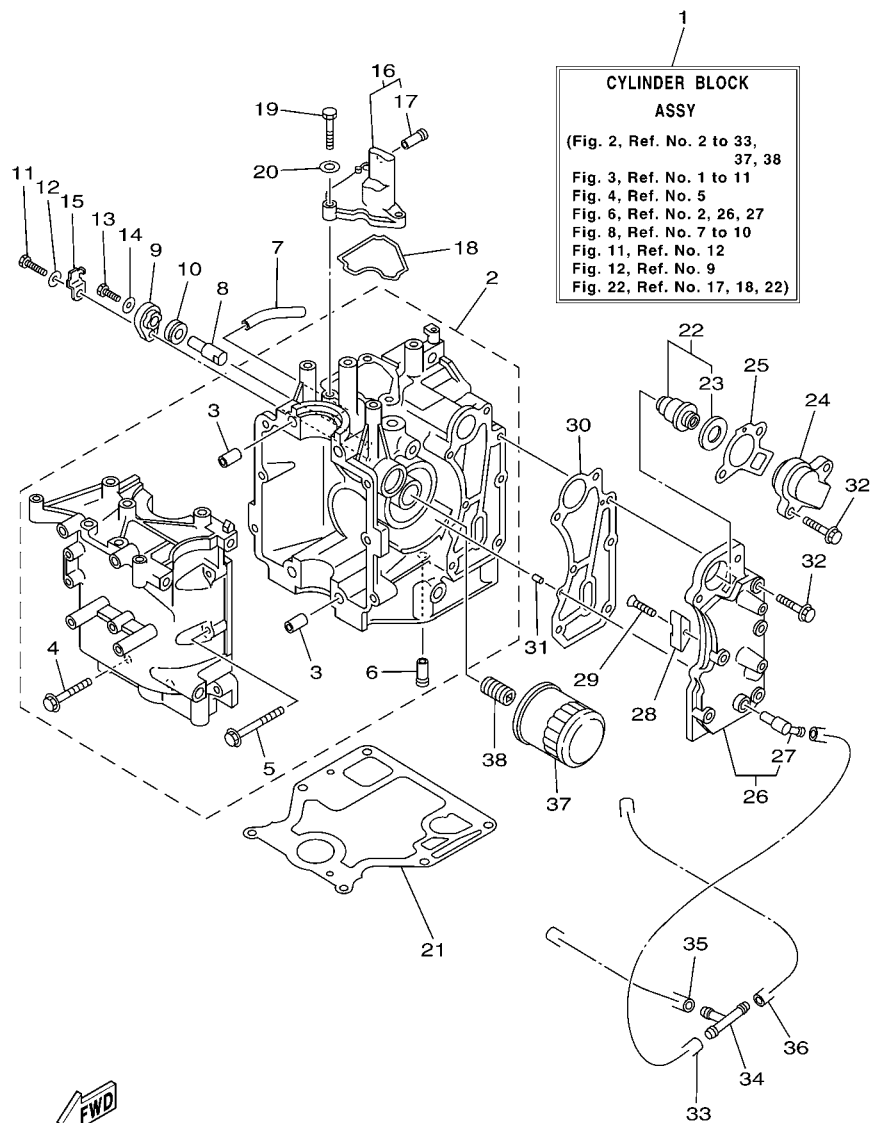


FIG. 1 TOP COWLING

CAPOT SUPERIEUR

REF. NO.	PART NO. N° PIECES	DESCRIPTION DESCRIPTION	M	E			REMARKS REMARQUES
1							
	1504195	TOP COWLING ASSY CAPOT (ENS.)	1				Dolphin 9,9
2	66M-42613-00	.MOLDING, AIR DUCT .MANCHON A AIR	1	1			
3	97780-60520	.SCREW, TAPPING .VIS, TETE BOMBEE	4	4			
4	65W-42651-01	.HOOK .CROCHET	1	1			
5	90266-06M02	.RIVET .RIVET	2	2			
6	66M-42652-00	.HOOK .CROCHET	1	1			
7	90266-06M02	.RIVET .RIVET	2	2			
8	6D4-42615-00	.SEAL .JOINT	1	1			
9	8092684	.GRAPHIC, QUATTRO T .ADHESIF, QUATTRO T	2	2			
10	8092605	.GRAPHIC, SELVA MARINE .ADHESIF, SELVA MARINE	1	1			
11	8091931	.GRAPHIC, 9,9 .ADHESIF, 9,9	1				Dolphin 9,9
12	90202-05M38	.WASHER, PLATE .RONDELLE, PLATE	4	4			
13	8092666	.GRAPHIC, LEFT .ADHESIF, GOUCHE	1	1			
14	8092664	.GRAPHIC, RIGHT .ADHESIF, DROITE	1	1			
	1533970	GRAPHIC SET JEU DIEMBLEMES	1	1			Dolphin 9,9

FIG. 2 CYLINDER & CRANKCASE 1 CYLINDRE & CARTER 1

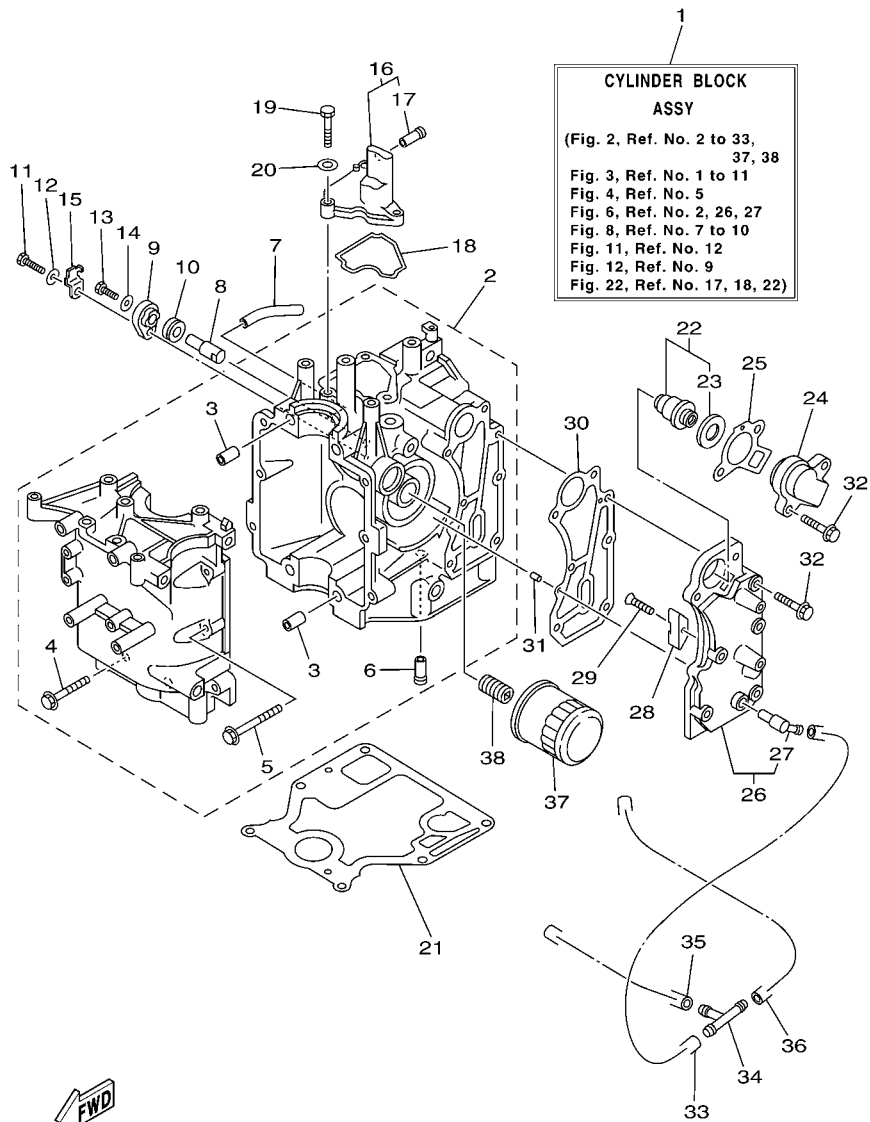


66M7300-F020

A5

REF. NO.	PART NO. N° PIECES	DESCRIPTION DESCRIPTION	MH	U		REMARKS REMARQUES
1	66M-W009B-13-1S	CYLINDER BLOCK ASSY CYLINDRE GROUPE (ENS.)	1	1		FLUSHING KIT FLUSHING KIT
2	66M-15100-03-1S	CRANKCASE ASSY CARTER DE MOTEUR COMPLET	1	1		
3	99510-10114	.PIN, DOWEL .GOUJON, D'ASSEMBLAGE	2	2		
4	90119-08M66	.BOLT, WITH WASHER .BOULON, AVEC RONDELLE	4	4		
5	90119-06M14	.BOLT, WITH WASHER .BOULON, AVEC RONDELLE	6	6		
6	6E5-24377-00	.PIPE, JOINT 2 .DURITE RACCORDEMENT 2	1	1		
7	90445-10M46	HOSE (L65) DURITE (L65)	1	1		
8	66M-11325-00	ANODE ANODE	1	1		
9	66M-11327-00-94	COVER, ANODE COUVERCLE ANODE	1	1		
10	66M-11328-00	GROMMET, ANODE PASSE-FIL	1	1		
11	97095-06020	BOLT BOULON	1	1		
12	92995-06600	WASHER RONDELLE	1	1		
13	97095-05012	BOLT BOULON	1	1		
14	92995-05600	WASHER RONDELLE	1	1		
15	66M-12535-00	PLATE PLAQUE	1	1		
16	66M-11168-00-1S	COVER, BREATHER COUVERCLE, RENIFLARD	1	1		
17	6E5-24377-00	.PIPE, JOINT 2 .DURITE RACCORDEMENT 2	1	1		
18	66M-11357-00	SEAL, CYLINDER 3 JOINT, SPY CYLINDRE	1	1		
19	97095-06020	BOLT BOULON	3	3		
20	92995-06600	WASHER RONDELLE	3	3		
21	66M-11351-10	GASKET, CYLINDER JOINT, D'EMBASE	1	1		
22	66M-12411-01	THERMOSTAT THERMOSTAT	1	1		
23	688-12412-00	.SEAL, THERMOSTAT .JOINT, THERMOSTAT	1	1		
24	6H3-12413-00-1S	COVER, THERMOSTAT COUVERCLE, THERMOSTAT	1	1		
25	62Y-12414-00	GASKET, COVER JOINT, COUVERCLE	1	1		
26	66M-41113-30-1S	OUTER COVER, EXHAUST COUVERCLE, ECHAPPEMENT	1	1		FLUSHING KIT FLUSHING KIT
27	676-11372-00	.NIPPLE, HOSE .RACCORD, TUYAU	1	1		

FIG. 2 CYLINDER & CRANKCASE 1 CYLINDRE & CARTER 1

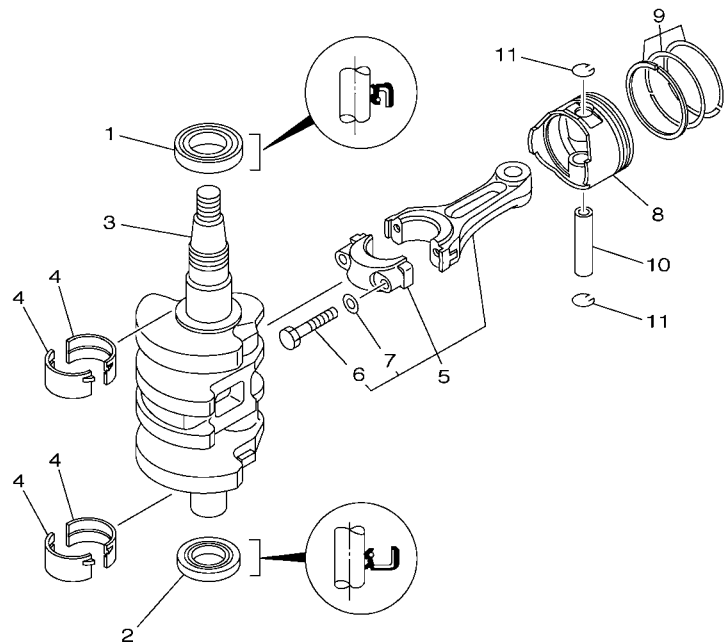


66M7300-F020

REF. NO.	PART NO. N° PIECES	DESCRIPTION DESCRIPTION	MH	U	REMARKS REMARQUES
28	6E5-11325-00	ANODE ANODE	1	1	
29	98780-04015	SCREW, FLAT HEAD VIS A TETE FRAISEE	1	1	
30	66M-41114-01	GASKET, EXHAUST OUTER COVER JOINT, COUVERCLE D'ECHAPPEMENT	1	1	
31	93604-12M07	PIN, DOWEL CLAVETTE	2	2	
32	90119-06MA4	BOLT, WITH WASHER BOULON, AVEC RONDELLE	7	7	
33	90445-09061	HOSE (L65) DURITE (L65)	1	1	
34	688-24378-00	PIPE, JOINT 3 DURITE RACCORDEMENT 3	1	1	
35	90445-09086	HOSE (L170) DURITE (L170)	1	1	
36	90445-09104	HOSE (L300) DURITE (L300)	1	1	
37	5GH-13440-00	ELEMENT ASSY, OIL CLEANER ELEMENT, FILTRE A HUILE	1	1	
38	90401-20M00	BOLT, UNION BOULON, RACCORD	1	1	

FIG. 3 CRANKSHAFT & PISTON

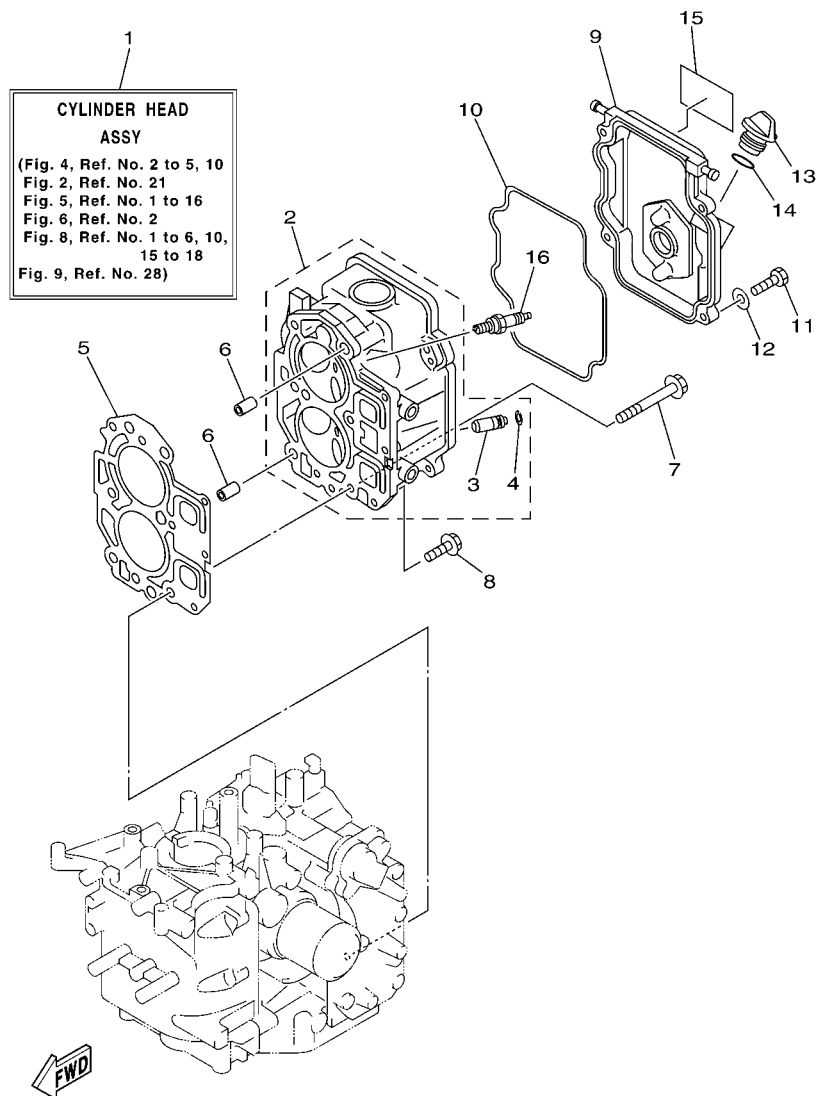
VILEBREQUIN & PISTON



REF. NO.	PART NO. N° PIECES	DESCRIPTION DESCRIPTION	MH	U		REMARKS REMARQUES
1	93102-35M51	OIL SEAL JOINT SPY	1	1		
2	93102-25M52	OIL SEAL JOINT SPY	1	1		
3	66M-11411-00	CRANKSHAFT VILEBREQUIN COMPLET	1	1		
4	66M-11416-00	PLANE BEARING, CRANKSHAFT 1 COUSSINET DE VILEBREQUIN 1	4	4		UR BROWN UR BROWN
	66M-11416-10	PLANE BEARING, CRANKSHAFT 1 COUSSINET DE VILEBREQUIN 1	4	4		UR BLACK UR BLACK
	66M-11416-20	PLANE BEARING, CRANKSHAFT 1 COUSSINET DE VILEBREQUIN 1	4	4		UR BLUE UR BLUE
5	66M-11650-00	CONNECTING ROD ASSY BIELLE COMPLETE	2	2		
6	66M-11654-00	.BOLT, CONNECTING ROD .BOULON, BIELLE	2	2		
7	90201-07M01	.WASHER, PLATE .RONDELLE, PLATE	2	2		
8	66M-11631-00-96	PISTON (STD) PISTON (STD)	2	2		
	66M-11635-00	PISTON (0.25MM O/S) PISTON (0.25MM O/S)	2	2		AP AP
	66M-11636-00	PISTON (0.50MM O/S) PISTON (0.50MM O/S)	2	2		AP AP
9	66N-11603-00	PISTON RING SET (STD) JEU DE SEGMENTS (STD)	2	2		
	66N-11604-00	PISTON RING SET (0.25MM O/S) JEU DE SEGMENTS (0.25MM O/S)	2	2		AP AP
	66N-11605-00	PISTON RING SET (0.50MM O/S) JEU DE SEGMENTS (0.50MM O/S)	2	2		AP AP
10	634-11633-00	PIN, PISTON AXE, PISTON	2	2		
11	93450-15023	CIRCLIP CIRCLIP, TYPE S	4	4		



66M0010-8031



66R8300-G040

FIG. 4 CYLINDER & CRANKCASE 2 CYLINDRE & CARTER 2

REF. NO.	PART NO. N° PIECES	DESCRIPTION DESCRIPTION	MH	U			REMARKS REMARQUES
1	66M-W009A-13-1S	CYLINDER HEAD ASSY CULASSE (ENS.)	1	1			
2	66M-11111-01-1S	HEAD, CYLINDER 1 CULASSE	1	1			
3	66M-11133-29	.GUIDE, VALVE 1 .GUIDE, SOUPAPE 1	4	4			
4	93450-09M01	.CIRCLIP .CIRCLIP, TYPE S	4	4			
5	66M-11181-10	GASKET, CYLINDER HEAD 1 JOINT, DE CULASSE 1	1	1			
6	99510-10114	PIN, DOWEL GOUJON, D'ASSEMBLAGE	2	2			
7	90105-08M78	BOLT, FLANGE BOULON	6	6			
8	90119-06MA3	BOLT, WITH WASHER BOULON, AVEC RONDELLE	3	3			
9	66M-11191-00-1S	COVER, CYLINDER HEAD 1 COUVERCLE, CULASSE 1	1	1			
10	66M-11356-00	SEAL, CYLINDER 2 JOINT, SPY CYLINDRE	1	1			
11	97095-06020	BOLT BOULON	4	4			
12	92995-06600	WASHER RONDELLE	4	4			
13	6G8-15363-00	PLUG, OIL PLOT, HUILE	1	1			
14	93210-24M79	O-RING JOINT TORIQUE	1	1			
15	66M-12138-60	MARK, CAUTION MAKER	1	1			
16	94701-00375	PLUG, SPARK (NGK DPR6EA-9) BOUGIE D'ALLUMAGE(NGK DPR6EA-9	2	2			



66M0010-1051

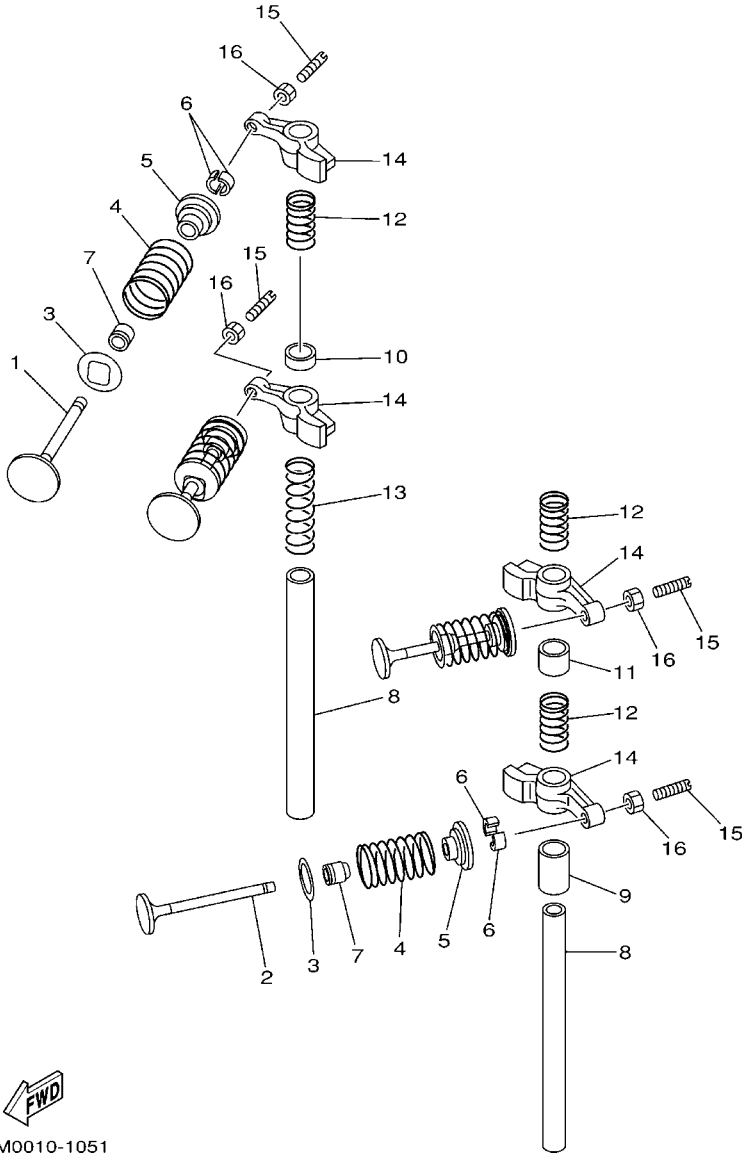


FIG. 5 VALVE

SOUPAPE

REF. NO.	PART NO. N° PIECES	DESCRIPTION DESCRIPTION	MH	U			REMARKS REMARQUES
1	66M-12111-00	VALVE, INTAKE SOUPAPE, ADMISSION	2	2			
2	66M-12121-00	VALVE, EXHAUST SOUPAPE, ECHAPPEMENT	2	2			
3	66M-12116-00	SEAT, VALVE SPRING SIEGE, RESSORT DE SOUPAPE	4	4			
4	66M-12113-00	SPRING, VALVE INNER RESSORT DE SOUPAPE, INTERNE	4	4			
5	30X-12117-00	RETAINER, VALVE SPRING BUTEE DE RESSORT DE SOUPAPE	4	4			
6	30X-12118-00	COTTER, VALVE FRAISE, SOUPAPE	8	8			
7	51Y-12119-00	SEAL, VALVE STEM JOINT, QUEUE DE SOUPAPE	4	4			
8	66M-12146-00	SHAFT, ROCKER AXE, CULBUTEUR	2	2			
9	90387-13M56	COLLAR COLLERETTE	1	1			
10	90387-13001	COLLAR COLLERETTE	1	1			
11	90387-13002	COLLAR COLLERETTE	1	1			
12	90501-12M40	SPRING, COMPRESSION RESSORT, COMPRESSION	3	3			
13	90501-12M41	SPRING, COMPRESSION RESSORT, COMPRESSION	1	1			
14	66M-12151-10	ARM, VALVE ROCKER CULBUTEUR	4	4			
15	62Y-12159-00	SCREW, VALVE ADJUSTING VIS, REGLAGE DE SOUPAPE	4	4			
16	62Y-12158-00	NUT, LOCK CONTRE-ECROU	4	4			

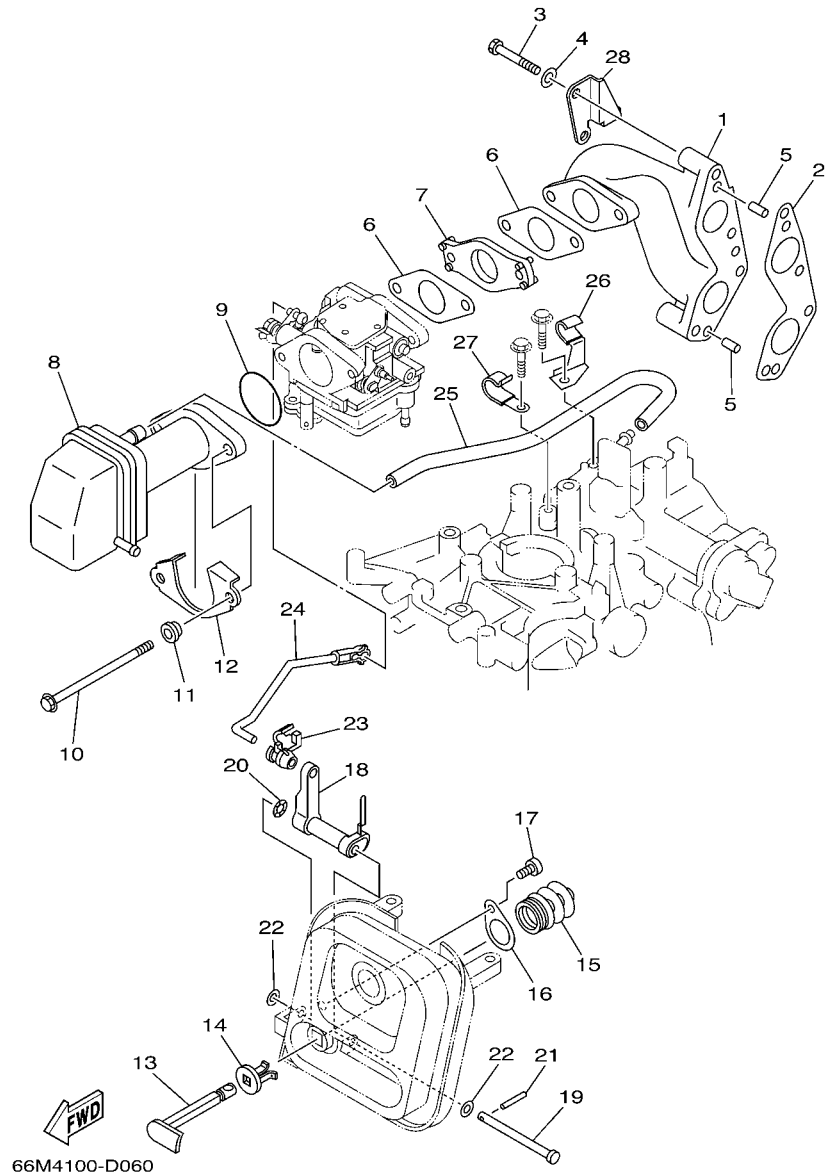
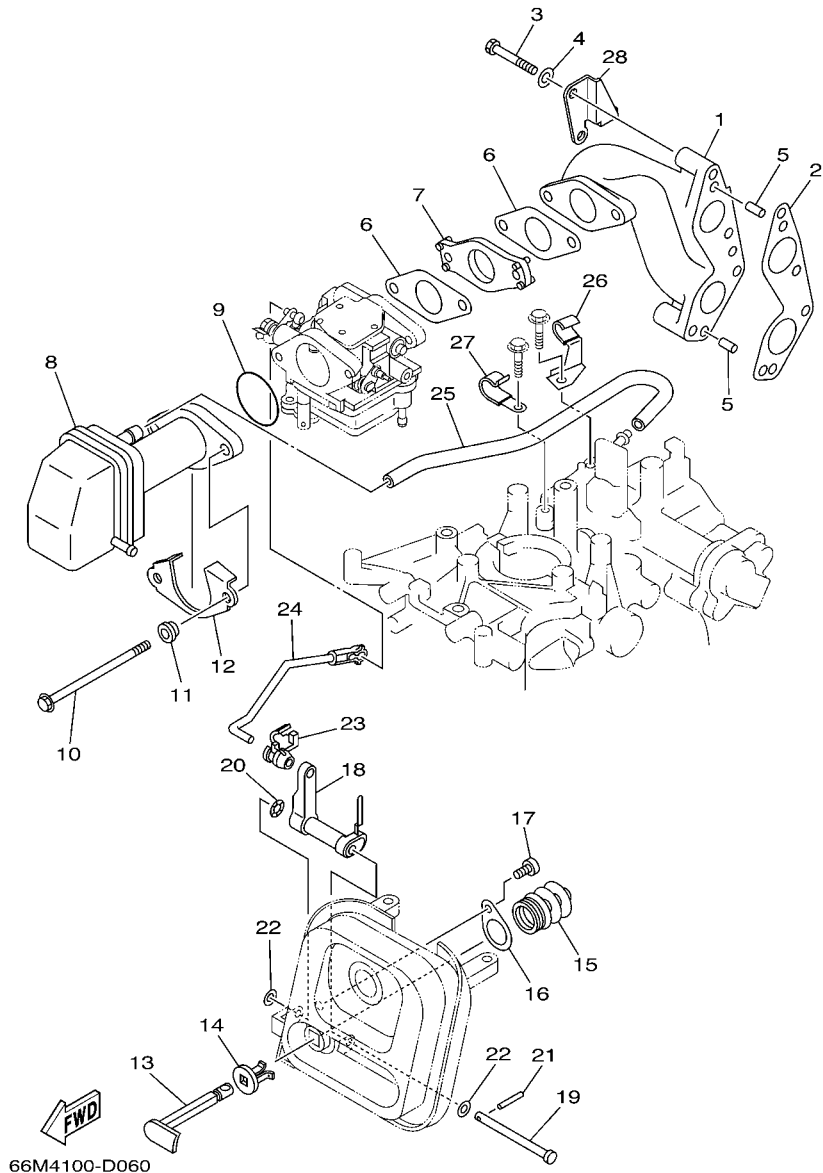


FIG. 6 INTAKE

ADMISSION

REF. NO.	PART NO. N° PIECES	DESCRIPTION DESCRIPTION	MH	U			REMARKS REMARQUES
1	66M-13641-10-94	MANIFOLD 1 TUBULURE 1	1	1			
2	66M-13645-00	GASKET, MANIFOLD 1 JOINT, TUBULURE 1	1	1			
3	97095-06040	BOLT BOULON	4	4			
4	92995-06600	WASHER RONDELLE	4	4			
5	93606-12019	PIN, DOWEL GOUPILLE	2	2			
6	66M-13646-00	GASKET, MANIFOLD 2 JOINT, TUBULURE 2	2	2			
7	66M-14271-00	INSULATOR ISOLATEUR	1	1			
8	66M-14440-00	SILENCER ASSY, INTAKE SIENCIEUX D'ADMISSION	1	1			
9	93210-35M86	O-RING JOINT TORIQUE	1	1			
10	90119-06M76	BOLT, WITH WASHER BOULON, AVEC RONDELLE	2	2			
11	90387-06M79	COLLAR COLLERETTE	2	2			
12	66M-14477-00	PLATE PLAQUE	1	1			
13	66M-41271-00	KNOB, CHOKE BOUTON DE STARTER	1	1			
14	689-41273-00	GROMMET PASSE-FIL	1	1			
15	66M-41292-00	BUSH 2 BAGUE 2	1	1			
16	66M-41298-00	WASHER 2 RONDELLE 2	1	1			
17	97780-50510	SCREW, TAPPING VIS, TETE BOMBEE	1	1			
18	66M-41252-00	LEVER, CHOKE 1 LEVIER 1	1	1			
19	90240-05M20	PIN, CLEVIS BOULON, A GOUPILLE	1	1			
20	90206-05005	WASHER, WAVE RONDELLE, ONDULEE	1	1			
21	91690-20016	PIN, SPRING AGRAFFE	1	1			
22	90202-05088	WASHER, PLATE RONDELLE, PLATE	2	2			
23	6R5-41237-00	JOINT, LINK RACCORD	1	1			
24	66M-41256-00	ROD, CHOKE 1 TRINGLE 1, STARTER	1	1			
25	66M-15373-00	PIPE, BREATHER DURITE DE RENIFLARD	1	1			
26	90465-08M82	CLAMP BRIDE	1	1			
27	90465-08M83	CLAMP BRIDE	1	1			



66M4100-D060

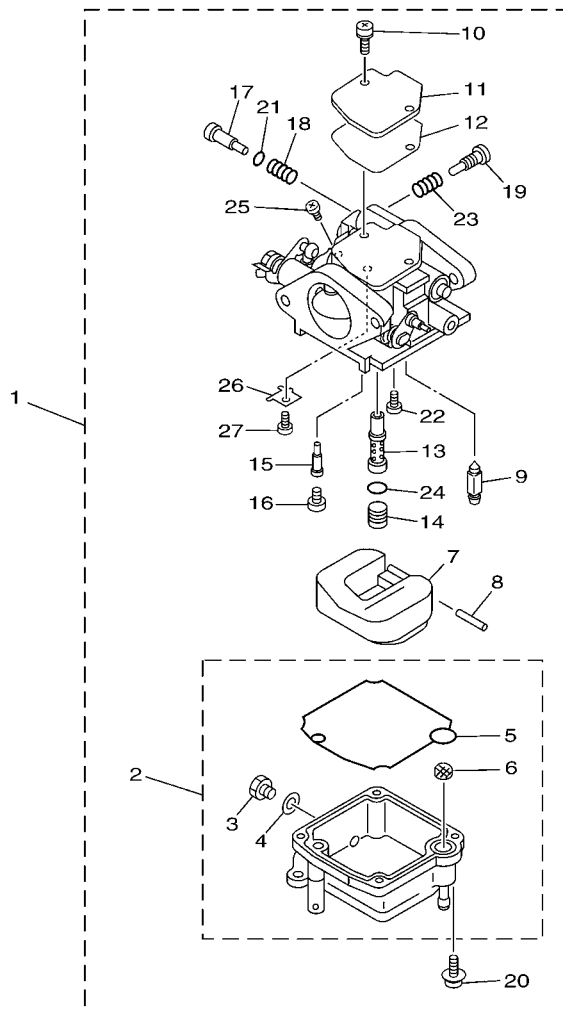
FIG. 6 INTAKE

ADMISSION

REF. NO.	PART NO. N° PIECES	DESCRIPTION DESCRIPTION	MH	E			REMARKS REMARQUES
28	6D4-24566-00	BRACKET, FILTER SUPPORT, FILTRE	1	1			

FIG. 7 CARBURETOR

CARBURATEUR

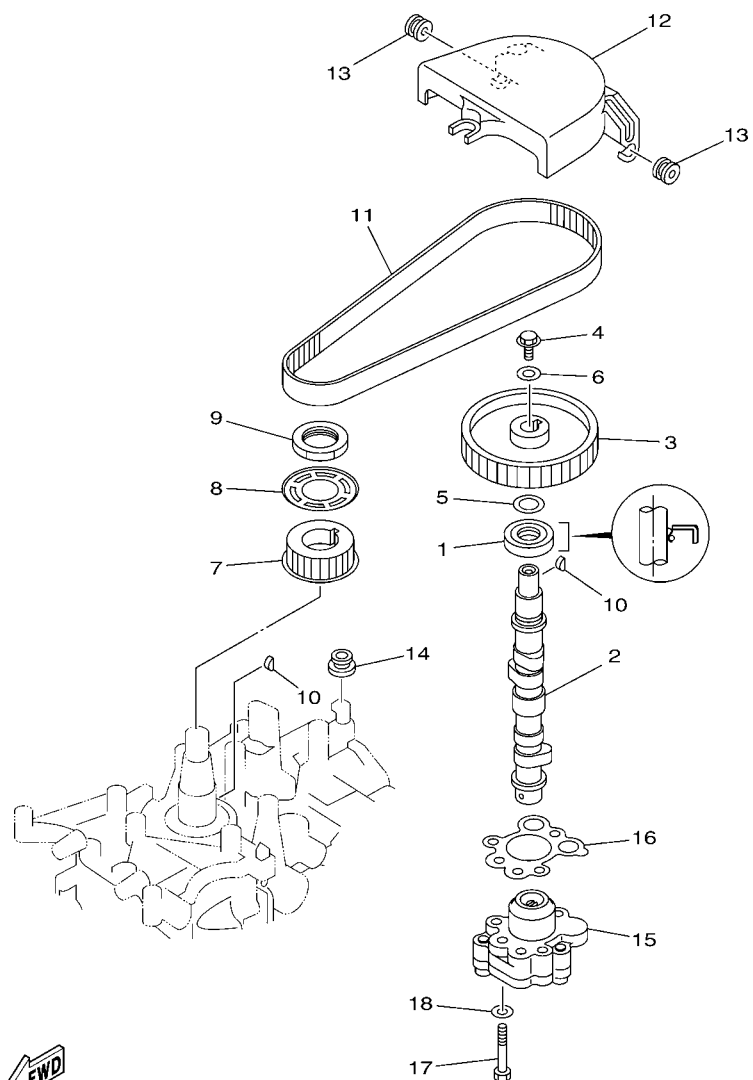



66R4700-D070

REF. NO.	PART NO. N° PIECES	DESCRIPTION DESCRIPTION	MH	E			REMARKS REMARQUES
1	66N-14301-00	CARBURETOR ASSY 1 CARBURATEUR COMPLET 1	1	1			
2	66N-14381-00	.BODY, FLOAT CHAMBER .CORPS, CUVE DE FLOTTEUR	1	1			
3	62Y-14383-00	..SCREW, DRAIN ..BOUCHON, PURGE	1	1			
4	66M-14398-00	..GASKET ..JOINT	1	1			
5	66M-14384-00	..GASKET, FLOAT CHAMBER ..JOINT, CUVE DE FLOTTEUR	1	1			
6	66M-14827-00	..FILTER ..FILTRE	1	1			
7	6L2-14385-00	.FLOAT .FLOTTEUR	1	1			
8	6E5-14386-01	.PIN, FLOAT .AXE, FLOTTEUR	1	1			
9	6L2-14392-00	.VALVE, NEEDLE .POINTEAU	1	1			
10	97980-04110	.SCREW, WITH WASHER .VIS, AVEC RONDELLE	2	2			
11	6L2-14157-00	.COVER, MIXING .COUVERCLE DE CHAMBRE	1	1			
12	62Y-14399-00	.GASKET .JOINT	1	1			
13	66N-14341-00	.NOZZLE, MAIN .PUITS D'AIGUILLE	1	1			
14	66N-14343-34	.JET, MAIN (# 68) .GICLEUR, PRINCIPAL (# 68)	1	1			
15	66M-14342-23	.JET, PILOT (#45) .GICLEUR, RALENTI (#45)	1	1			
16	62Y-14355-00	.PLUG .PLOT	1	1			
17	5H0-14323-00	.SCREW, AIR ADJUSTING .VIS DE DOSEUR D'AIR	1	1			
18	30X-14334-00	.SPRING, AIR ADJUSTING .RESSORT, VIS DE DOSEUR D'AIR	1	1			
19	62Y-14321-00	.SCREW, THROTTLE .VIS, ACCELERATEUR	1	1			
20	97980-04112	.SCREW, WITH WASHER .VIS, AVEC RONDELLE	4	4			
21	62Y-14397-00	.O-RING .JOINT TORIQUE	1	1			
22	98980-04006	.SCREW, BIND .VIS, DE PRESSION	1	1			
23	646-14212-01	.SPRING, PILOT ADJUSTING .RESSORT, VIS DE RALENTI	1	1			
24	6F5-14397-00	.O-RING .JOINT TORIQUE	1	1			
25	97890-04005	.SCREW, PAN HEAD .VIS, CRUCIFORME	1	1			
26	66M-14157-00	.PLATE .PLAQUE	1	1			
27	98580-03005	.SCREW, PAN HEAD .VIS	1	1			

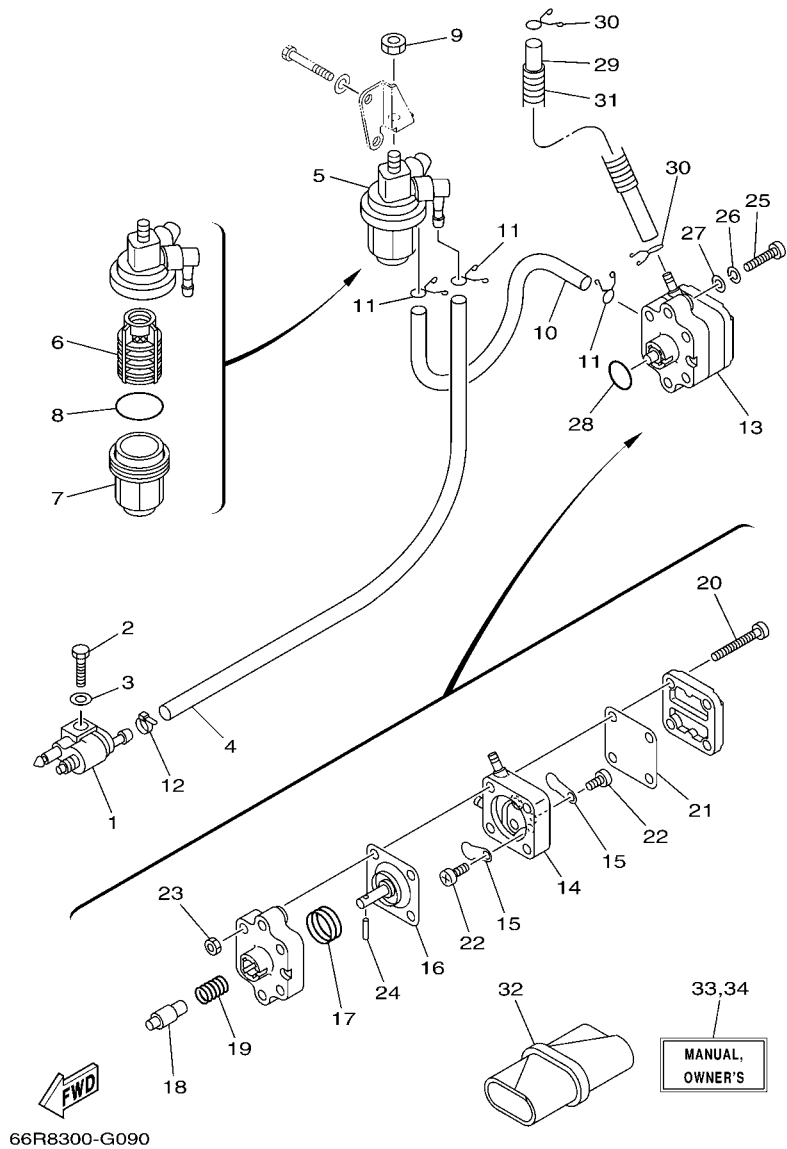
FIG. 8 OIL PUMP

POMPE A HUILE




66R4300-D080

REF. NO.	PART NO. N° PIECES	DESCRIPTION DESCRIPTION	MH	E	REMARKS REMARQUES
1	93102-18M21	OIL SEAL JOINT SPY	1	1	
2	66M-12170-00	CAMSHAFT ASSY 1 ENS ARBRE A CAMES 1	1		
3	66M-11537-00-94	GEAR, DRIVEN PIGNON SECONDAIRE	1	1	
4	90105-06M14	BOLT FLANGE BOULON	1	1	
5	90201-13201	WASHER, PLATE RONDELLE, PLATE	1	1	
6	90201-06M94	WASHER, PLATE RONDELLE, PLATE	1	1	
7	66M-11536-10	GEAR, DRIVE ENGRENAGE, MENANT	1	1	
8	66M-11557-00	WASHER 1 RONDELLE 1	1	1	
9	90170-28M37	NUT ECROU	1	1	
10	90280-03M01	KEY, WOODRUFF CLAVETTE, DEMI-LUNE	2	2	
11	66M-46241-00	V-BELT COURROIE TRAPEZOIDALE	1	1	
12	66M-46297-00	COVER, DUST COUVERCLE, POUSSIERE	1	1	
13	90480-10M16	GROMMET PASSE-FIL	2	2	
14	90480-12072	GROMMET PASSE-FIL	1	1	
15	66M-13300-10	OIL PUMP ASSY POMPE A HUILE COMPLETE	1	1	
16	66M-13329-10	GASKET, PUMP COVER JOINT, COUVERCLE DE POMPE	1	1	
17	97095-06035	BOLT BOULON	3	3	
18	92995-06600	WASHER RONDELLE	3	3	



66R8300-G090

FIG. 9 FUEL

CARBURANT

REF. NO.	PART NO. N° PIECES	DESCRIPTION DESCRIPTION	MH	U			REMARKS REMARQUES
1	6G1-24304-02	FUEL PIPE JOINT COMP. 1 DURITE RACCORDEMT. A ESSENCE	1	1			
2	97095-06020	BOLT BOULON	1	1			
3	92995-06600	WASHER RONDELLE	1	1			
4	90445-10M19	HOSE (L500) DURITE (L500)	1	1			
5	61N-24560-00	FILTER ASSY ENS FILTRE	1	1			
6	61N-24563-00	.ELEMENT, FILTER .ELEMENT, FILTRE	1	1			
7	61N-24521-00	.CUP, FILTER .CUVETTE, FILTRE	1	1			
8	93210-32738	.O-RING .JOINT TORIQUE	1	1			
9	95380-08600	NUT ECROU	1	1			
10	90445-10M15	HOSE (L140) DURITE (L140)	1	1			
11	90467-09M17	CLIP JONC	3	3			
12	90465-11M10	CLAMP BRIDE	1	1			
13	66M-24410-11	FUEL PUMP ASSY POMPE A ESSENCE	1	1			
14	66M-24413-01	.BODY 2 .CORPS 2	1	1			
15	6A0-24421-01	.VALVE, CHECK .SOUPAPE, RETENUE	2	2			
16	66M-24411-11	.DIAPHRAGM .DIAPHRAGME	1	1			
17	66M-24423-00	.SPRING, DIAPHRAGM .RESSORT, DIAPHRAGME	1	1			
18	66M-13131-10	.PLUNGER .PLONGEUR	1	1			
19	66M-24454-00	.SPRING .RESSORT	1	1			
20	66M-24444-00	.SCREW .VIS	4	4			
21	66M-24471-01	.DIAPHRAGM .DIAPHRAGME	1	1			
22	6E7-14325-00	.SCREW, PAN HEAD .VIS TETE CONIQUE	2	2			
23	95380-04600	.NUT .ECROU	4	4			
24	66M-24374-00	.PIN .GOUILLE	1	1			
25	97880-06030	SCREW, PAN HEAD VIS, TETE TRONCONIQUE	2	2			
26	92990-06100	WASHER, SPRING RONDELLE, GROWER	2	2			
27	92990-06600	WASHER, PLATE RONDELLE, PLATE	2	2			

B7

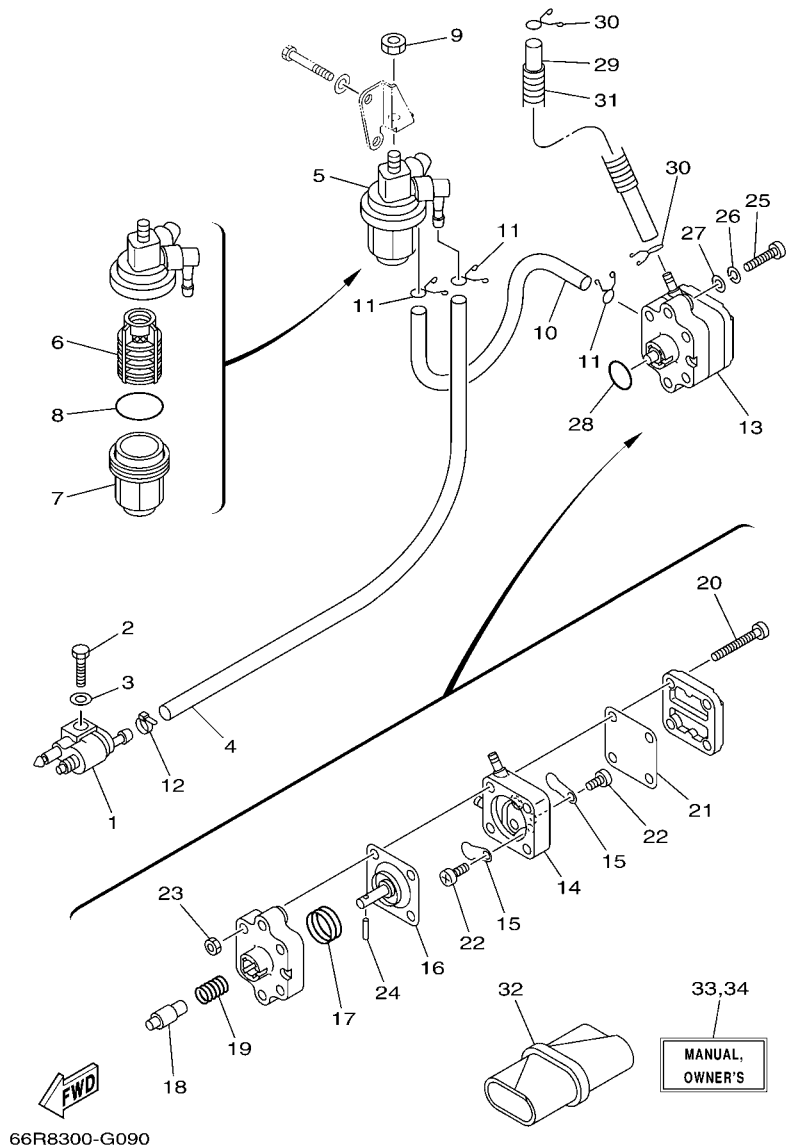


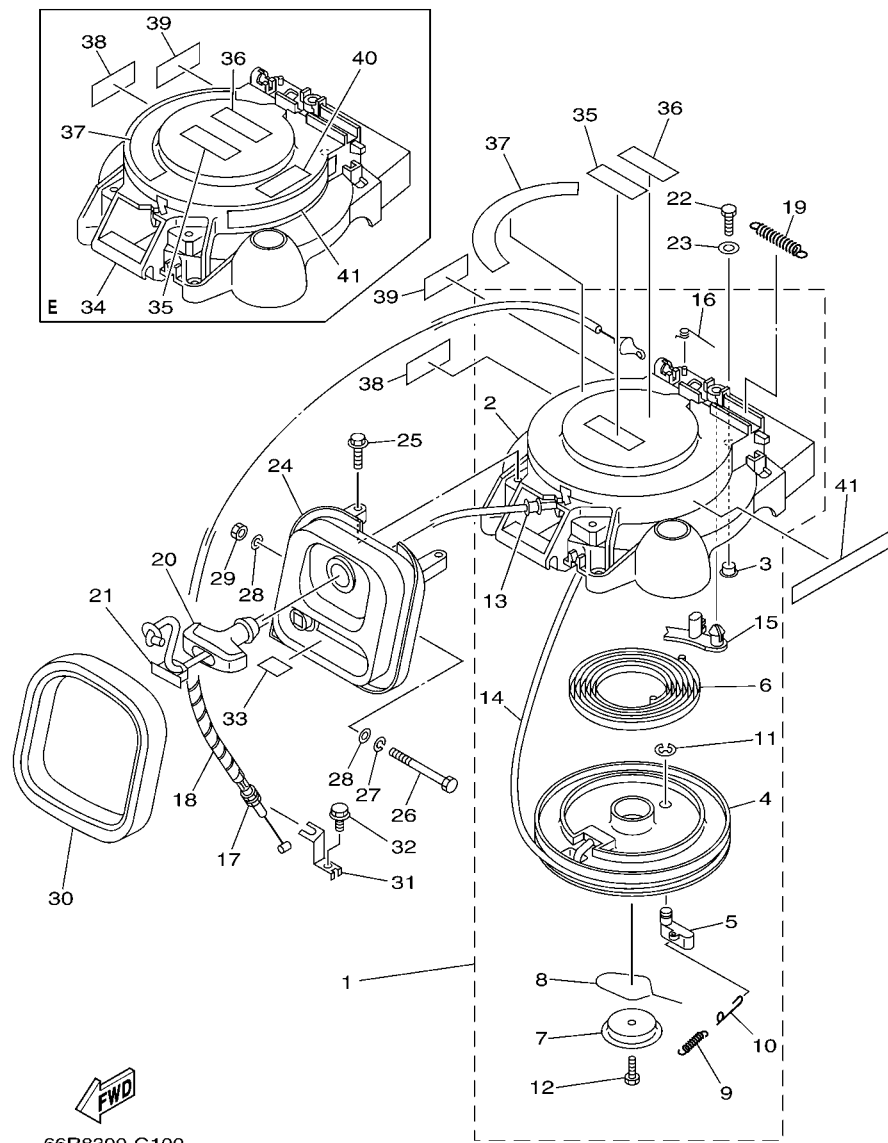
FIG. 9 FUEL

CARBURANT

REF. NO.	PART NO. N° PIECES	DESCRIPTION DESCRIPTION	MH	E		REMARKS REMARQUES
28	93210-20M65	O-RING JOINT TORIQUE	1	1		
29	90445-10M93	HOSE (L370) DURITE (L370)	1	1		
30	90467-09M17	CLIP JONC	2	2		
31	90446-14M51	HOSE DURITE	1	1		
32	62Y-28100-00	TOOL KIT TROUSSE A OUTILS	1	1		
33	66M-28199-7C-E0	MANUAL, OWNER'S MANUEL D'UTILISATION	1	1		UR (E) UR (E)
	66M-28199-7C-F0	MANUAL, OWNER'S MANUEL D'UTILISATION	1	1		UR (F) UR (F)
	66M-28199-7C-S0	MANUAL, OWNER'S MANUEL D'UTILISATION	1	1		UR (ES) UR (ES)
	66M-28199-7C-G0	MANUAL, OWNER'S MANUEL D'UTILISATION	1	1		UR (D) UR (D)
	66M-28199-7C-D0	MANUAL, OWNER'S MANUEL D'UTILISATION	1	1		UR (NL) UR (NL)
	66M-28199-7C-H0	MANUAL, OWNER'S MANUEL D'UTILISATION	1	1		UR (I) UR (I)
34	66M-28199-8D-K0	MANUAL, OWNER'S MANUEL D'UTILISATION	1	1		UR (DK) UR (DK)
	66M-28199-8D-R0	MANUAL, OWNER'S MANUEL D'UTILISATION	1	1		UR (GR) UR (GR)
	66M-28199-8D-P0	MANUAL, OWNER'S MANUEL D'UTILISATION	1	1		UR (P) UR (P)
	66M-28199-8D-N0	MANUAL, OWNER'S MANUEL D'UTILISATION	1	1		UR (N) UR (N)
	66M-28199-8D-M0	MANUAL, OWNER'S MANUEL D'UTILISATION	1	1		UR (S) UR (S)
	66M-28199-8D-L0	MANUAL, OWNER'S MANUEL D'UTILISATION	1	1		UR (SF) UR (SF)

FIG. 10 STARTER

DEMARREUR



66R8300-G100

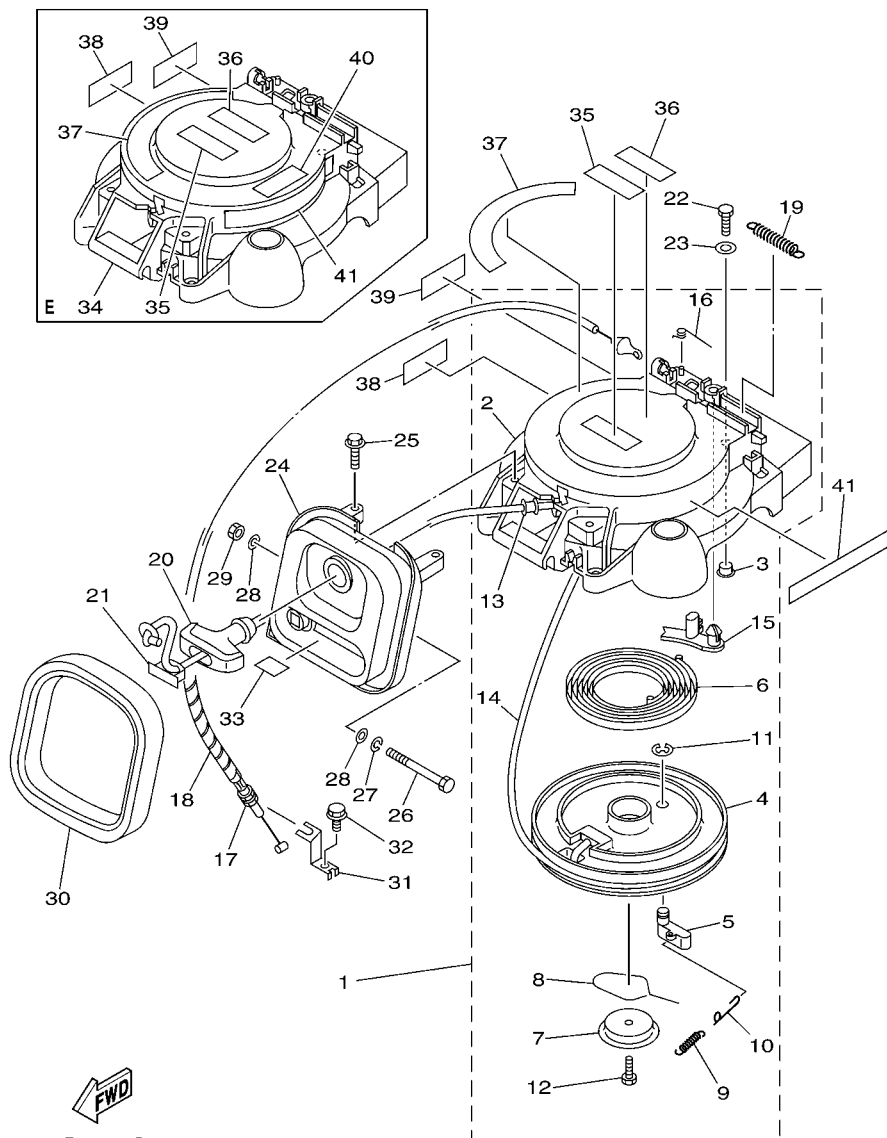
*1: CUT FROM 50M ROLLS, PART NO. 90890-44373, CUTTING LENGTH 1.8M

*1: A PRELEVER SUR BOBINE 50M, REFERENCE 90890-44373, LONGUEUR DE COUPE 1.8M

REF. NO.	PART NO. N° PIECES	DESCRIPTION DESCRIPTION	MH	E			REMARKS REMARQUES
1	66M-15710-02	STARTER ASSY DEMARREUR COMPLET	1				
2	66M-15711-01	.CASE, STARTER .CARTER DE DEMARREUR	1				
3	90387-06M05	.COLLAR .COLLERETTE	3				
4	63V-15714-00	.DRUM, SHEAVE .TAMBOUR, POULIE	1				
5	63V-15741-00	.PAWL, DRIVE .CLIQUET, ENTRAINEMENT	1				
6	63V-15713-00	.SPRING, STARTER .RESSORT DE DEMARREUR	1				
7	63V-15716-00	.PLATE, DRIVE .PLAQUE, ENTRAINEMENT	1				
8	63V-15705-01	.SPRING, DRIVE PAWL .RESSORT DE CLIQUET	1				
9	63V-15767-01	.SPRING .RESSORT	1				
10	63V-15784-01	.SPRING, RETURN .RESSORT, RAPPEL	1				
11	63V-15744-00	.CIRCLIP .CIRCLIP	1				
12	63V-15768-00	.BOLT .BOULON	1				
13	63V-15764-00	.COLLAR 1 .COLLERETTE 1	1				
14	*	.WIRE, STARTER (L:1800MM) .CABLE DE DEMARREUR (L:1800MM)	1				*1 *1
15	66T-15794-00	.STOPPER .BUTEE	1				
16	66T-15734-00	.SPRING, RETURN .RESSORT, RAPPEL	1				
17	66M-15770-00	CABLE COMP., STARTER STOP CABLE, BUTEE DE DEMAR	1				
18	90446-06M90	HOSE (L120) DURITE (L120)	1				
19	66T-15731-00	SPRING, RETURN RESSORT, RAPPEL	1				
20	6G1-15755-00	HANDLE, STARTER POIGNEE, DE DEMARREUR	1				
21	6G1-15779-00	COVER COUVERCLE	1				
22	97095-06020	BOLT BOULON	3	3			
23	92995-06600	WASHER RONDELLE	3	3			
24	66M-15758-00	GUIDE, ROPE GUIDE DE CABLE	1				
	66M-15758-10	GUIDE, ROPE GUIDE DE CABLE		1			
25	90119-06M59	BOLT, WITH WASHER BOULON, AVEC RONDELLE	2	2			
26	97095-06090	BOLT BOULON	1	1			

FIG. 10 STARTER

DEMARREUR



66R8300-G100

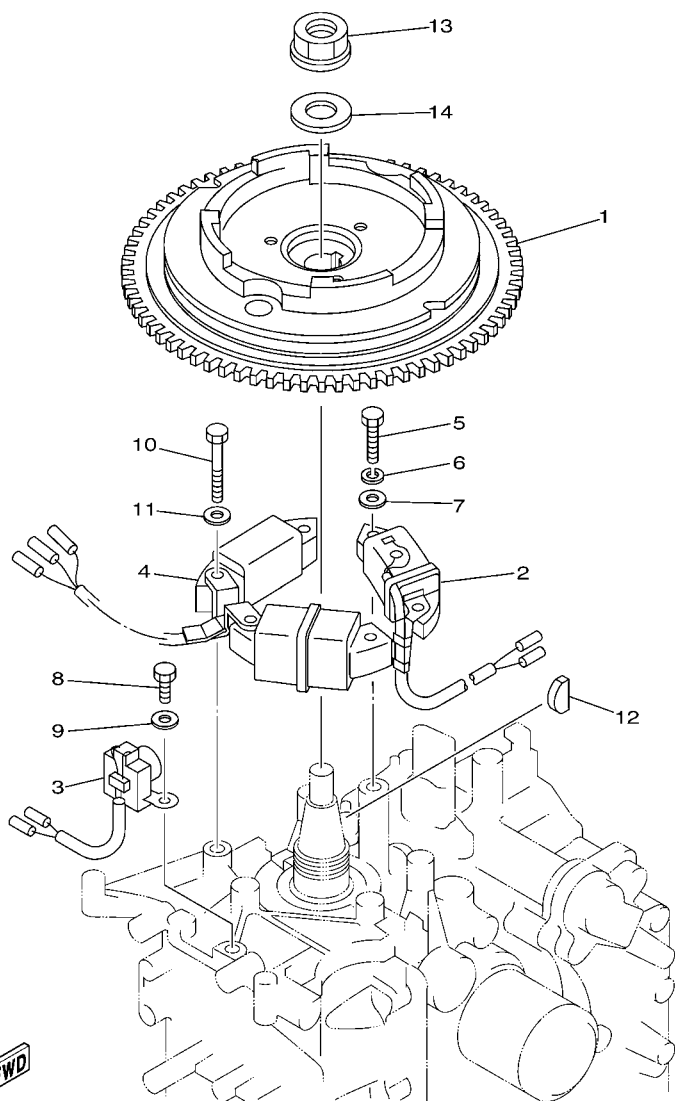
*1: CUT FROM 50M ROLLS, PART NO. 90890-44373, CUTTING LENGTH 1.8M

*1: A PRELEVER SUR BOBINE 50M, REFERENCE 90890-44373, LONGUEUR DE COUPE 1.8M

REF. NO.	PART NO. N° PIECES	DESCRIPTION DESCRIPTION	MH	E	REMARKS REMARQUES
27	92995-06100	WASHER, SPRING RONDELLE, GROWER	1	1	
28	90201-06M05	WASHER, PLATE RONDELLE, PLATE	2	2	
29	95380-06700	NUT ECROU	1	1	
30	66M-15762-00	SEAL, RUBBER 2 JOINT CAOUTCHOUC 2	1	1	
31	66M-15774-00	STAY 4 SUPPORT 4	1		
32	90109-06M86	BOLT BOULON	1		
33	66M-84342-00	SEAT, EMBLEM SIEGE, EMBLEME	1	1	
35	6AH-81995-40	LABEL, WARNING ETIQUETTE, AVERTISSEMENT	1	1	
36	6AH-81995-50	LABEL, WARNING ETIQUETTE, AVERTISSEMENT	1	1	
37	66M-14427-60	LABEL, INSTRUCTION ETIQUETTE, INSTRUCTION	1	1	
38	6AH-81994-40	LABEL, SAFETY ETIQUETTE, SECURITE	1	1	
39	6AH-81994-50	LABEL, SAFETY ETIQUETTE, SECURITE	1	1	
41	6G8-13437-65	MARK, CAUTION MAKER	1	1	

FIG. 11 GENERATOR

GENERATRICE



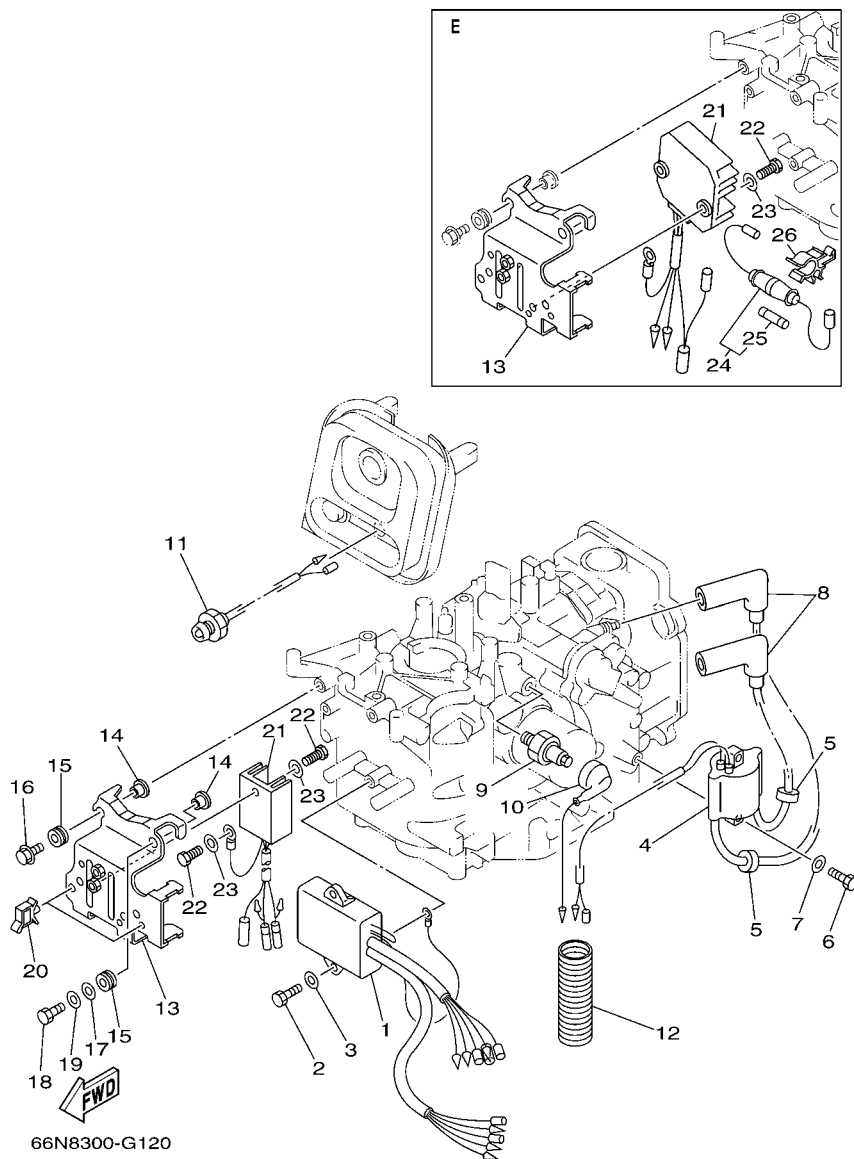
69B0010-0110



REF. NO.	PART NO. N° PIECES	DESCRIPTION DESCRIPTION	MH	E			REMARKS REMARQUES
1	66M-85550-00	ROTOR ASSY (WITHOUT RING GEAR) ROTOR CPLT	1				
				1			
2	66M-85520-00	COIL, CHARGE BOBINE, CHARGE	1	1			
3	66M-85580-00	COIL, PULSER BOBINE, PULSEUR	1	1			
4	66M-85533-00	COIL, LIGHTING BOBINE, ECLAIRAGE	1				6A
	66M-85533-10	COIL, LIGHTING BOBINE, ECLAIRAGE		1			6A 10A 10A
5	97095-06025	BOLT BOULON	2	2			
6	92995-06100	WASHER, SPRING RONDELLE, GROWER	2	2			
7	92995-06600	WASHER RONDELLE	2	2			
8	97095-06016	BOLT BOULON	2	2			
9	92995-06600	WASHER RONDELLE	2	2			
10	97095-06030	BOLT BOULON	4				
				4			
11	92995-06600	WASHER RONDELLE	4	4			
12	90280-05013	KEY, WOODRUFF CLAVETTE, DEMI-LUNE	1	1			
13	90179-16M05	NUT ECROU	1	1			
14	90201-16M44	WASHER, PLATE RONDELLE, PLATE	1	1			

FIG. 12 ELECTRICAL 1

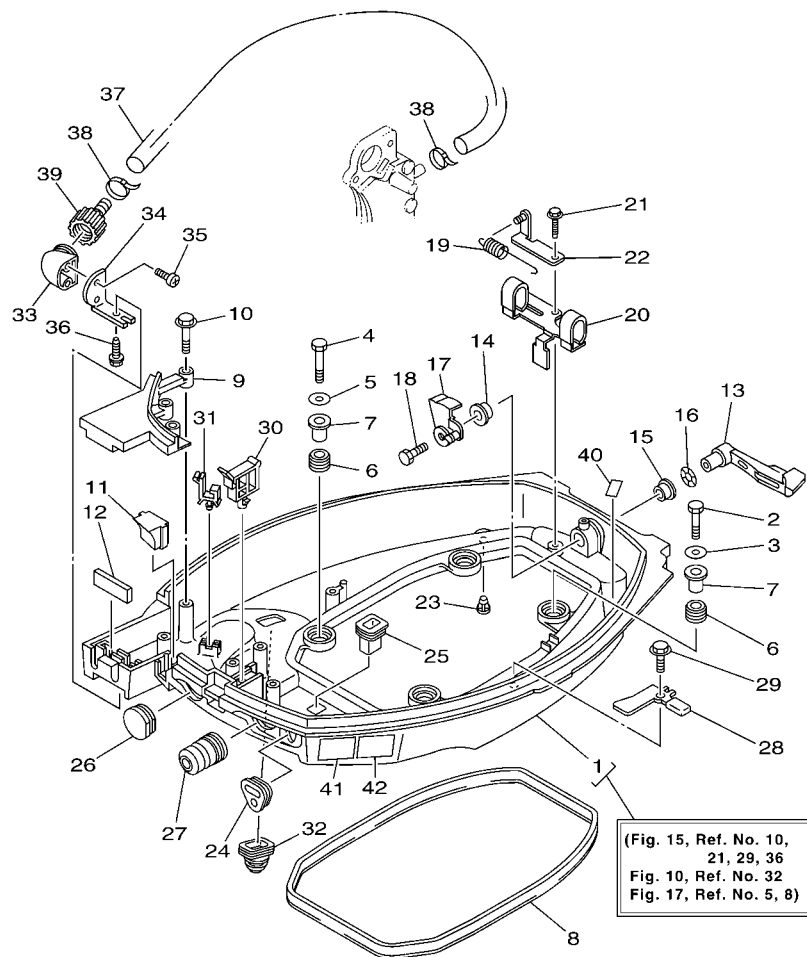
PARTIE ELECTRIQUE 1



REF. NO.	PART NO. N° PIECES	DESCRIPTION DESCRIPTION	MH	U			REMARKS REMARQUES
1	66M-85540-01	C.D.I. UNIT ASSY BLOC C.D.I.	1	1			
2	97095-06020	BOLT BOULON	2	2			
3	92995-06600	WASHER RONDELLE	2	2			
4	66M-85570-00	IGNITION COIL ASSY BOBINE D'ALLUMAGE (ENS.)	1	1			
5	90480-25161	GROMMET PASSE-FIL	2	2			
6	97095-06020	BOLT BOULON	2	2			
7	92995-06600	WASHER RONDELLE	2	2			
8	6G8-82370-30	PLUG CAP ASSY ANTIPARASITE	2	2			
9	62Y-82504-10	OIL PRESSURE SWITCH ASSY CONTACTEUR DE PRESSION D'HUILE	1	1			
10	66M-82127-10	WIRE, LEAD 2 FIL 2	1	1			
11	65W-85410-01	EMERGENCY SIGNAL LIGHT ASSY FEU DE DETRESSE	1	1			
12	6H1-83557-00	TUBE TUBE	1	1			
13	66M-85542-00	BRACKET SUPPORT	1				
14	90387-06M05	COLLAR COLLERETTE	4	4			
15	90480-13M24	GROMMET PASSE-FIL	4	4			
16	95895-06020	BOLT, FLANGE BOULON	3	3			
17	90201-06M05	WASHER, PLATE RONDELLE, PLATE	1	1			
18	97095-06025	BOLT BOULON	1	1			
19	92995-06600	WASHER RONDELLE	1	1			
20	90464-09M13	CLAMP BRIDE	2	2			
21	6J8-81960-00	RECTIFIER & REGULATOR ASSY REDRESSEUR REGULATEUR CPLT	1				
22	97095-06016	BOLT BOULON	2	2			
23	92995-06600	WASHER RONDELLE	2	2			
24	6G8-82150-00	FUSE HOLDER ASSY SUPPORT DE FUSIBLE	1				
25	663-82151-00	.FUSE (12V-20A) .FUSIBLE (12V-20A)	1				

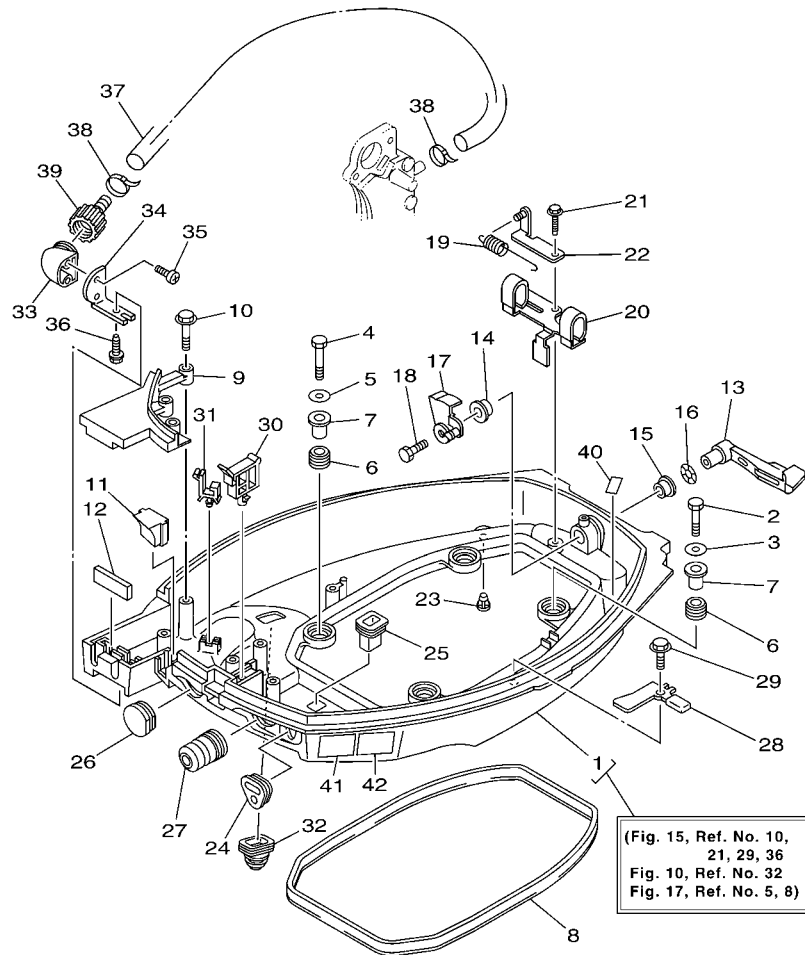
FIG. 15 BOTTOM COWLING

CAPOT INFERIEUR



66N8300-G150

REF. NO.	PART NO. N° PIECES	DESCRIPTION DESCRIPTION	MH	U			REMARKS REMARQUES
1	66M-42710-05-4D	BOTTOM COWLING ASSY ENS. EMBASE	1	1			WITH TAPPING BOLT WITH TAPPING BOLT
2	97095-06035	BOLT BOULON	2	2			
3	92995-06600	WASHER RONDELLE	2	2			
4	97095-06025	BOLT BOULON	2	2			
5	92995-06600	WASHER RONDELLE	2	2			
6	90480-15M31	GROMMET PASSE-FIL	4	4			
7	90387-06034	COLLAR COLLERETTE	4	4			
8	66M-42716-00	RUBBER, SEAL 1 JOINT EN CAOUTCHOUC 1	1	1			
9	66M-42738-00-4D	PLATE, FITTING ETRIER	1	1			
10	90109-06M82	BOLT BOULON	3	3			
11	66M-42725-00	GROMMET PASSE-FIL	1				
	66M-42725-20	GROMMET PASSE-FIL		1			
12	65W-42727-00	GROMMET PASSE-FIL	1				
	62Y-42727-00	GROMMET PASSE-FIL		1			
13	6D4-42815-00-4D	LEVER, CLAMP LEVIER, PRESSE	1	1			
14	90386-12M37	BUSH DOUILLE	1	1			
15	90386-12MA2	BUSH DOUILLE	1	1			
16	90206-12052	WASHER, WAVE RONDELLE, ONDULEE	1	1			
17	6D4-42816-00	LEVER, CLAMP LEVIER, PRESSE	1	1			
18	97095-06012	BOLT BOULON	1	1			
19	90506-18010	SPRING, TENSION RESSORT, TENSION	1	1			
20	6D4-42766-00	BRACKET 2 SUPPORT 2	1	1			
21	90109-06M81	BOLT BOULON	1	1			
22	6D4-43144-00	HOOK, SPRING CROCHET	1	1			
23	6H3-44391-01	NIPPLE, HOSE RACCORD D'ESSENCE	1	1			
24	66M-26326-00	GROMMET RONDELLE CAOUTCHOUC	1				
	65W-26326-10	GROMMET RONDELLE CAOUTCHOUC		1			



66N8300-G150

FIG. 15 BOTTOM COWLING

CAPOT INFERIEUR

REF. NO.	PART NO. N° PIECES	DESCRIPTION DESCRIPTION	MH	U		REMARKS REMARQUES
25	682-42727-00	GROMMET PASSE-FIL	1	1		
26	682-42724-00	GROMMET PASSE-FIL	1	1		
27	65W-42726-00	GROMMET PASSE-FIL	1			
	65W-42726-10	GROMMET PASSE-FIL		1		
28	66M-42743-00	BRACKET SUPPORT	2	2		
29	90109-06M86	BOLT BOULON	2	2		
30	90465-25M57	CLAMP BRIDE	1	1		
31	90464-09M13	CLAMP BRIDE	1	1		
32	688-42726-10	GROMMET PASSE-FIL	1	1		FLUSHING KIT
33	68T-12572-00	ADAPTER ADAPTATEUR	1	1		FLUSHING KIT
34	69W-12535-00	PLATE PLAQUE	1	1		FLUSHING KIT
35	90167-06002	SCREW, TAPPING VIS, TETE FRAISEE	2	2		FLUSHING KIT
36	90109-06M86	BOLT BOULON	1	1		FLUSHING KIT
37	66M-12481-00	PIPE 1 DURITE 1	1	1		FLUSHING KIT
38	90465-11M10	CLAMP BRIDE	2	2		FLUSHING KIT
39	6R3-12580-00	JOINT ASSY ARTICULER (ENS.)	1	1		FLUSHING KIT
40	62Y-82377-00	LABEL ETIQUETTE	1	1		
41	6AH-42794-40	LABEL, WARNING (GENERAL) ETIQUETTE, AVERTISSEMENT	1	1		
42	6AH-42794-50	LABEL, WARNING (GENERAL) ETIQUETTE, AVERTISSEMENT	1	1		

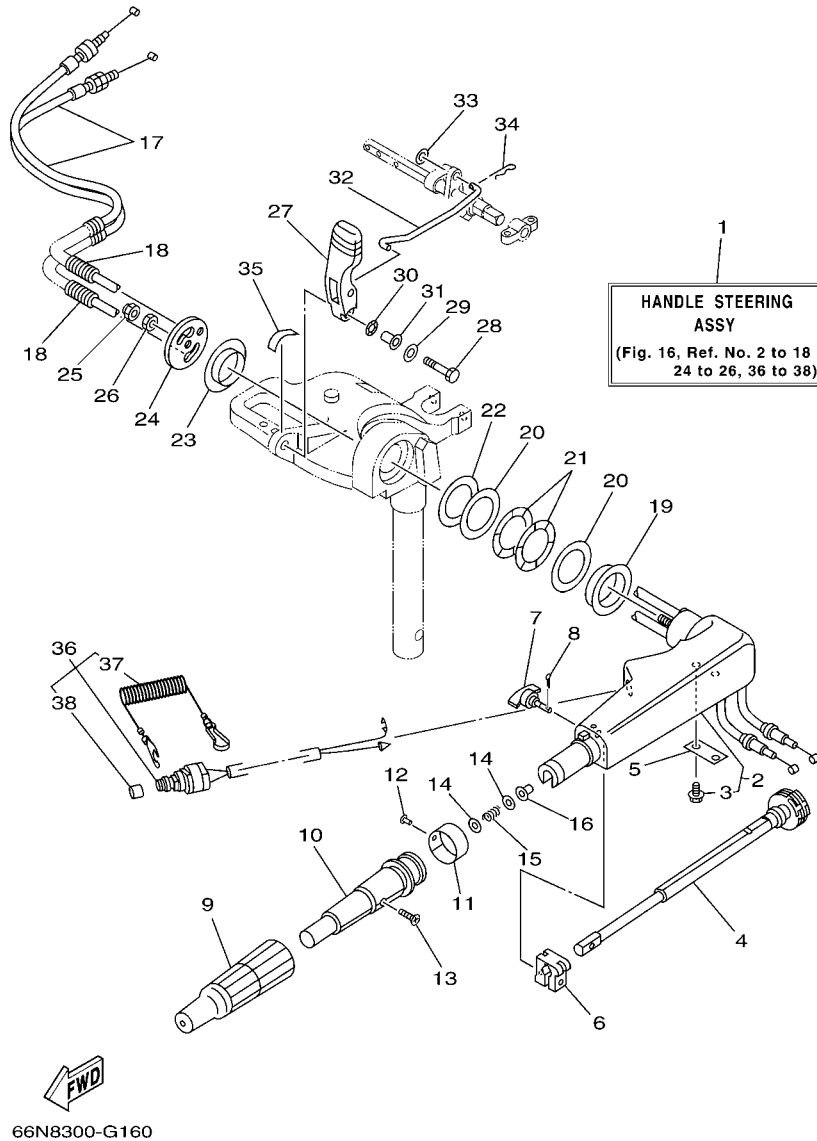
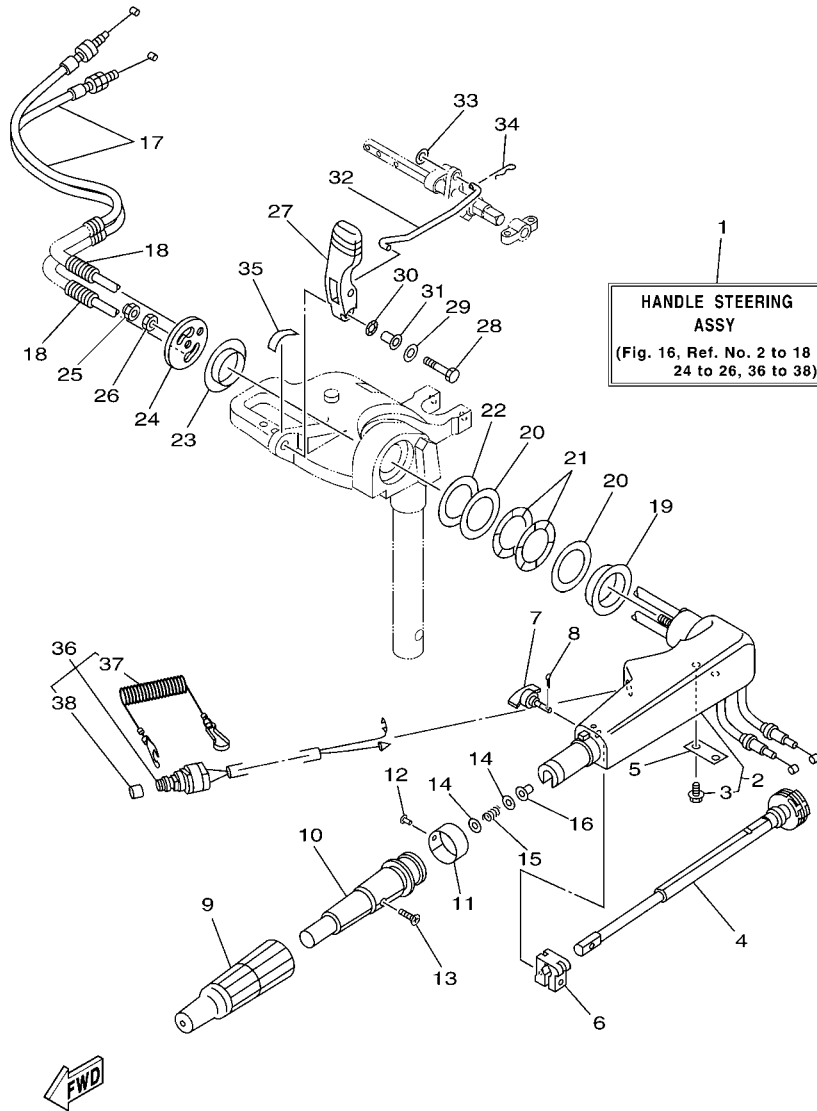


FIG. 16 STEERING

DIRECTION

REF. NO.	PART NO. N° PIECES	DESCRIPTION DESCRIPTION	MH	E			REMARKS REMARQUES
1	66M-W0084-00-4D	HANDLE STEERING ASSY BARRE FRANCHE (ENS.)	1				
2	65W-42101-01-4D	HANDLE, STEERING POIGNEE	1				
3	90109-06M86	.BOLT .BOULON	2				
4	65W-42138-00	LEVER, THROTTLE LEVIER, ACCELERATEUR	1				
5	65W-42159-00	STAY SUPPORT	1				
6	6G1-42126-00	FRICTION, STEERING HANDLE GRIP CUVETTE, POIGNEE DE DIRECTION	1				
7	65W-42125-00	BOLT, FRICTION ADJUSTING BOULON	1				
8	91490-16010	PIN, COTTER GOUPILLE	1				
9	66M-42177-00	RUBBER, HANDLE CAOUTCHOUC, POIGNEE	1				
10	66M-42119-00	GRIP, STEERING HANDLE POIGNEE, BARRE FRANCHE	1				
11	689-42137-20	INDICATOR, THROTTLE INDICATEUR, ACCELERATION	1				
12	90269-02M09	RIVET RIVET	1				
13	90149-05M13	SCREW VIS	1				
14	90201-10M02	WASHER, PLATE RONDELLE, PLATE	2				
15	90501-23215	SPRING, COMPRESSION RESSORT, COMPRESSION	1				
16	90386-08032	BUSH DOUILLE	1				
17	66M-26311-00	CABLE, THROTTLE 1 CABLE 1, ACCELERATEUR	2				
18	90446-10M87	HOSE (L75) DURITE (L75)	2				
19	90386-40MA0	BUSH DOUILLE	1				
20	90201-43M00	WASHER, PLATE RONDELLE, PLATE	2				
21	90206-43M22	WASHER, WAVE RONDELLE, ONDULEE	2				
22	90202-43M57	WASHER, PLATE RONDELLE, PLATE	1				
23	90386-40M99	BUSH DOUILLE	1				
24	66M-42131-01	COVER, HANDLE STEERING COUVERCLE	1				
25	95780-10300	NUT, FLANGE ECROU	1				
26	95380-10700	NUT ECROU	1				
27	66M-44111-01	HANDLE, GEAR SHIFT POIGNEE, LEVIER D'EMBRAYAGE	1				



66N8300-G160

FIG. 16 STEERING

DIRECTION

REF. NO.	PART NO. N° PIECES	DESCRIPTION DESCRIPTION	MH	E				REMARKS REMARQUES
28	97095-06030	BOLT BOULON	1					
29	92995-06600	WASHER RONDELLE	1					
30	90206-10M04	WASHER, WAVE RONDELLE, ONDULEE	1					
31	90387-06M78	COLLAR COLLERETTE	1					
32	66M-44124-00	LINK, SHIFT ROD BIELLETTE	1					
33	92990-06200	WASHER, PLAIN RONDELLE, PLATE	1					
34	90468-18008	CLIP JONC	1					
35	6E0-44191-11	INDICATOR, SHIFT ETIQUETTE, EMBRAYAGE	1					
36	65W-82575-01	ENGINE STOP SWITCH ASSY COUPE CIRCUIT CPLT	1					
37	682-82556-00	.LANYARD, STOP SWITCH .PLAQUETTE	1					
38	689-8257Y-00	.CAP .CHAPEAU	1					

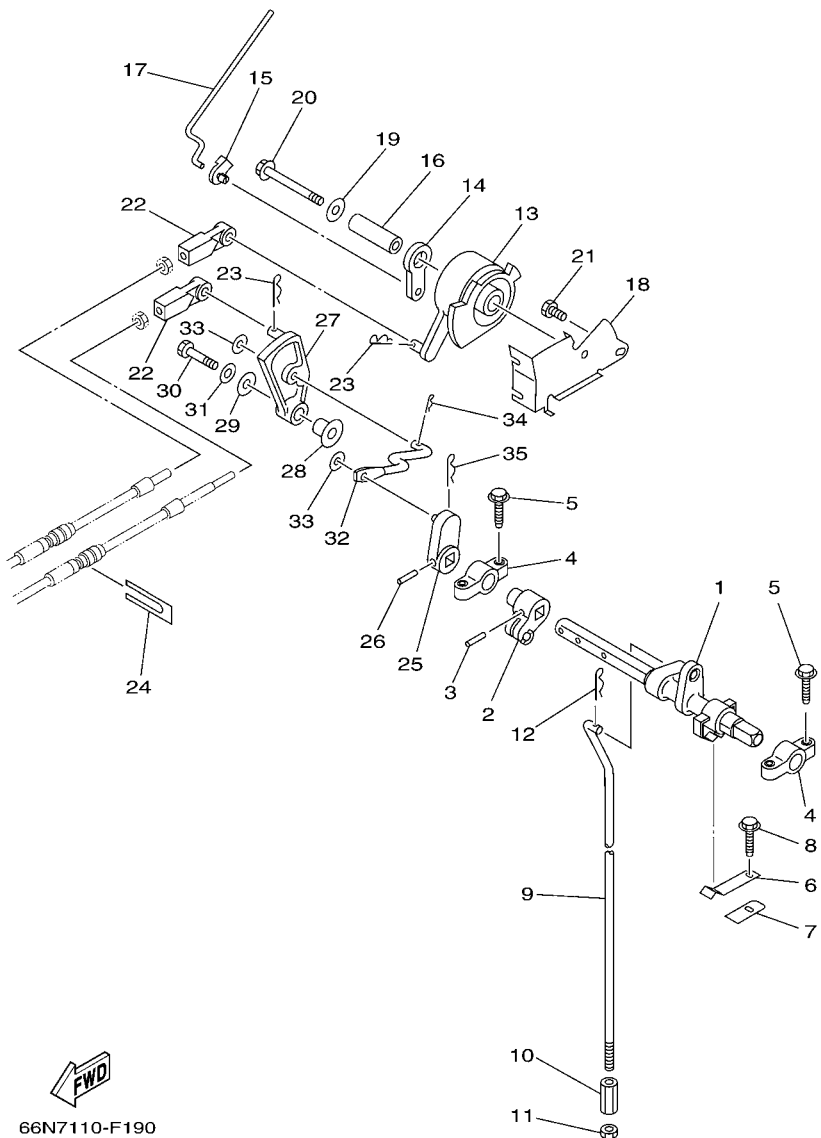


FIG. 17 CONTROL

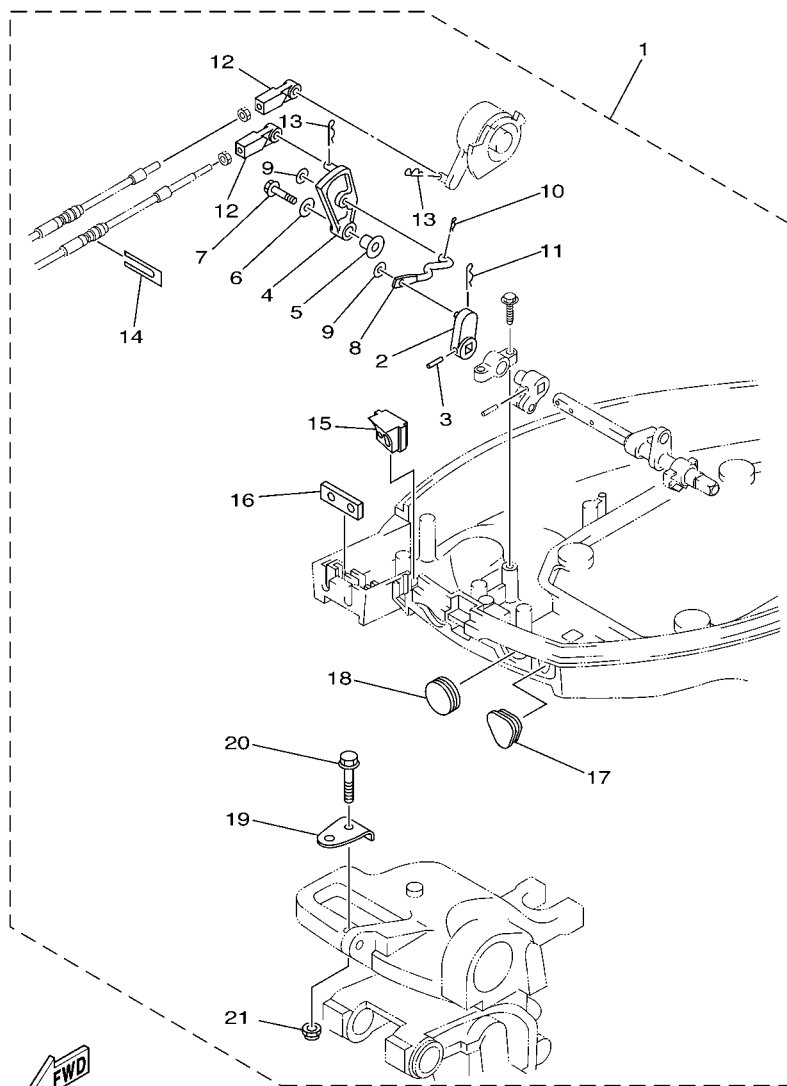
COMMANDE

REF. NO.	PART NO. N° PIECES	DESCRIPTION DESCRIPTION	MH	U			REMARKS REMARQUES
1	65W-44121-00	LEVER, SHIFT ROD LEVIER, TIGE D'INVERSION	1	1			
2	66M-44122-00	BUSHING, SHIFT ROD LEVER DOUILLE, LEVIER D'EMBAYAGE	1	1			
3	90254-03M05	PIN, SPRING RIVET, TETE TRONCONIQUE	1	1			
4	6F5-41662-00	BRACKET SUPPORT	2	2			
5	90109-06M81	BOLT BOULON	4	4			
6	65W-44116-00	SPRING RESSORT	1	1			
7	66R-44114-00	STOPPER PLAQUETTE	1	1			
8	90109-06M86	BOLT BOULON	1	1			
9	66M-44143-00	ROD, SHIFT TIGE D'EMBAYAGE	1	1			S(17.3")
	66M-44143-10	ROD, SHIFT TIGE D'EMBAYAGE	1	1			L(22.3") L(22.3")
10	90170-06015	NUT ECROU	1	1			
11	95380-06700	NUT ECROU	1	1			
12	90468-18008	CLIP JONC	1	1			
13	65W-41638-00	PULLEY POULIE	1	1			
14	65W-41283-00	LEVER, FREE ACCEL. LEVIER	1	1			
15	661-41262-02	JOINT, CHOKE LEVER RACCORD, LEVIER DE STARTER	1	1			
16	90387-06064	COLLAR COLLERETTE	1	1			
17	66M-41211-00	LINK, ACCEL. BIELLETTTE, ACCELERATION	1	1			
18	65W-14497-01	STAY, THROTTLE WIRE SUPPORT DE BOISSEAU	1	1			
19	90201-06M31	WASHER, PLATE RONDELLE, PLATE	1	1			
20	97595-06555	BOLT, WITH WASHER VIS HEXAGONAL AVC RONDELLE	1	1			
21	97095-06010	BOLT BOULON	1	1			
22	663-48344-00	CABLE END, REMOTE CONTROL CHAPE CABLE		2			
23	90468-18008	CLIP JONC		2			
24	6H3-48538-00	CLAMP, CABLE 1 COLLIER		1			
25	65W-44142-00	JOINT AXE		1			
26	90254-03M05	PIN, SPRING RIVET, TETE TRONCONIQUE		1			

D6

FIG. 18 REMO CON ATTACHMENT

COMMANDE A DISTANCE

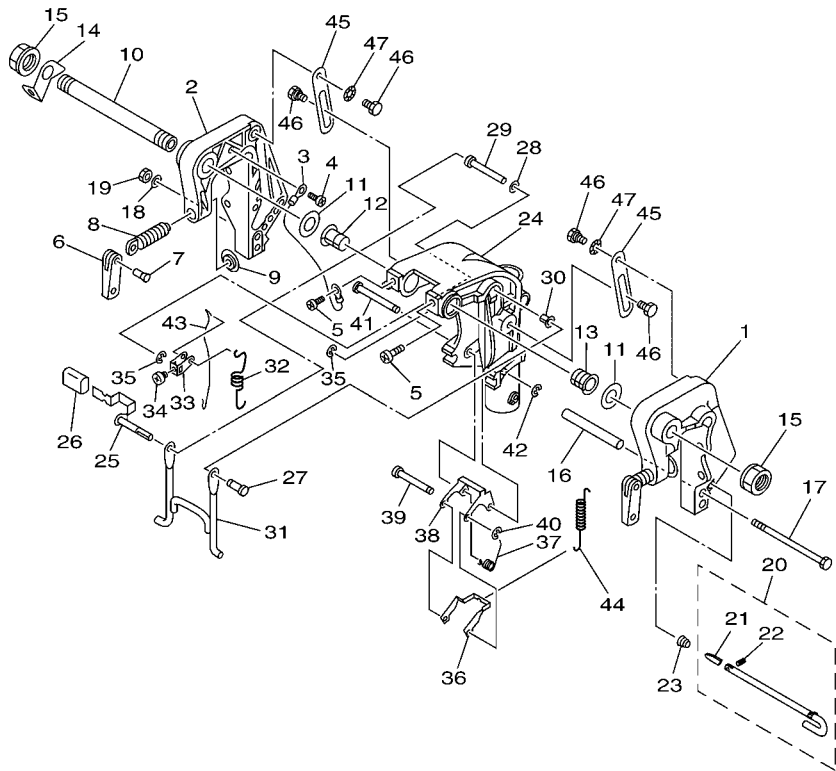


66M0010-9190

REF. NO.	PART NO. N° PIECES	DESCRIPTION DESCRIPTION	MH	U				REMARKS REMARQUES
1	66M-48501-00	REMOTE CONT. ATTACHMENT ASSY. COMMANDE A DISTANCE (KIT)	1					AP AP
2	65W-44142-00	.JOINT .AXE	1					
3	90254-03M05	.PIN, SPRING .RIVET, TETE TRONCONIQUE	1					
4	65W-44125-00	.LEVER, SHIFT ROD .LEVIER, TIGE D'INVERSION	1					
5	90387-06M29	.COLLAR .COLLERETTE	1					
6	90201-06M31	.WASHER, PLATE .RONDELLE, PLATE	1					
7	97595-06525	.BOLT, WITH WASHER .VIS HEXAGONAL AVC RONDELLE	1					
8	66M-44192-00	.JOINT, ROD 1 .RACCORD 1, BIELLETTE	1					
9	90201-05M06	.WASHER, PLATE .RONDELLE, PLATE	2					
10	90468-10005	.CLIP .JONC	1					
11	90468-18008	.CLIP .JONC	1					
12	663-48344-00	.CABLE END, REMOTE CONTROL .CHAPE CABLE	2					
13	90468-18008	.CLIP .JONC	2					
14	6H3-48538-00	.CLAMP, CABLE 1 .COLLIER	1					
15	66M-42725-20	.GROMMET .PASSE-FIL	1					
16	62Y-42727-00	.GROMMET .PASSE-FIL	1					
17	65W-26326-10	.GROMMET .RONDELLE CAOUTCHOUC	1					
18	65W-42726-10	.GROMMET .PASSE-FIL	1					
19	63V-48511-01	.HOOK, STEERING .ATTACHE, DIRECTION	1					
20	97575-08535	.BOLT, WITH WASHER .VIS HEXAGONAL AVC RONDELLE	1					
21	90185-08057	.NUT, SELF-LOCKING .ECROU,AUTO-BLOQUANT	1					

FIG. 19 BRACKET 1

SUPPORT 1

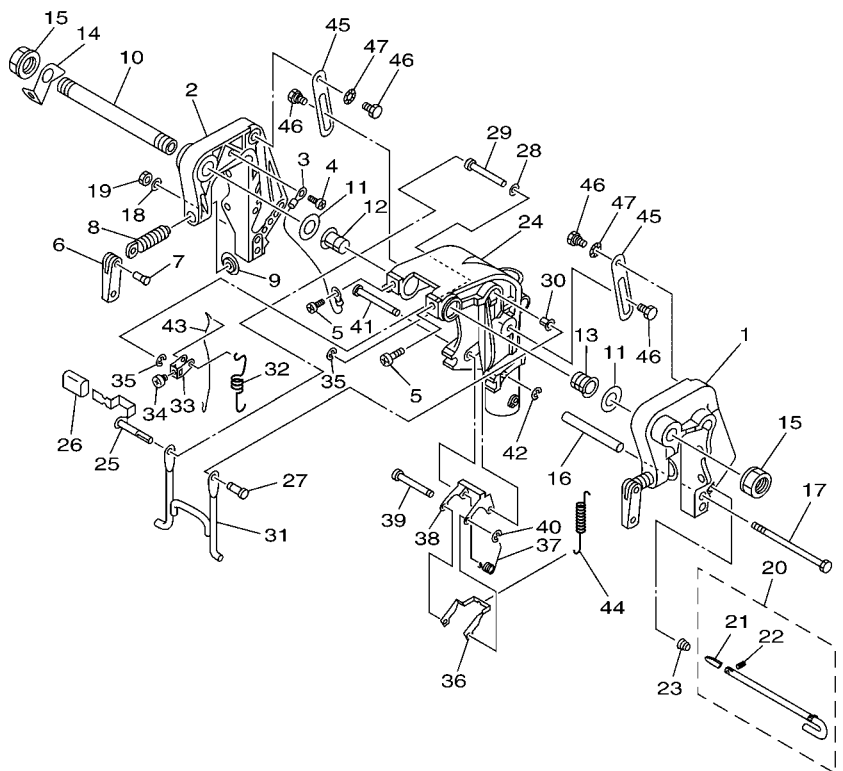


FWD
66M3300-C190

REF. NO.	PART NO. N° PIECES	DESCRIPTION DESCRIPTION	MH	U		REMARKS REMARQUES
1	63V-43111-07-4D	BRACKET, CLAMP 1 PRESSE 1	1	1		
2	63V-43112-08-4D	BRACKET, CLAMP 2 PRESSE 2	1	1		
3	66M-82148-00	WIRE, LEAD 4 FIL 4	1	1		
4	97885-06008	SCREW, PAN HEAD VIS, A ENCOCHE	1	1		
5	97885-08010	SCREW, PAN HEAD VIS, A ENCOCHE	2	2		
6	6E0-43118-01	HANDLE, TRANSOM CLAMP POIGNEE DE VIS DE PRESSE	2	2		
7	90243-04M01	PIN GOUPILLE	2	2		
8	6E7-43116-00	SCREW, TRANSOM CLAMP VIS DE PRESSE	2	2		
9	648-43114-01	PAD, TRANSOM CLAMP RONDELLE D'APPUI	2	2		
10	63W-43131-10	BOLT, CLAMP BRACKET BOULON, PRESSE	1	1		FOR RIDE GUIDE FOR RIDE GUIDE
11	90202-22M54	WASHER, PLATE RONDELLE, PLATE	2	2		
12	90386-22M94	BUSH DOUILLE	1	1		
13	90386-22M94	BUSH DOUILLE	1	1		
14	66R-43113-00	PLATE, CLAMP BRACKET PLAQUETTE, PRESSE	1	1		
15	90185-22043	NUT, SELF-LOCKING ECROU, AUTO-BLOQUANT	2	2		
16	90387-06M13	COLLAR COLLERETTE	1	1		
17	90101-06M29	BOLT BOULON	1	1		
18	92995-06600	WASHER RONDELLE	1	1		
19	95380-06700	NUT ECROU	1	1		
20	66M-43160-01	TILT ROD ASSY BROCHE D'INCLINAISON (ENS.)	1	1		
21	689-43165-00	.PLATE, TILT LOCK .TAQUET, BROCHE INCLINAISON	1	1		
22	91690-30008	.PIN, SPRING .AGRAFFE	1	1		
23	90502-10M07	SPRING, CONICAL RESSORT, CONIQUE	1	1		
24	63V-43311-03-4D	BRACKET, SWIVEL 1 SUPPORT, PIVOT 1	1	1		S(17.3") S(17.3")
	66M-43311-10-4D	BRACKET, SWIVEL 1 SUPPORT, PIVOT 1	1	1		L(22.3") L(22.3")
25	66M-43630-01	TILT LEVER ASSY LEVIER D'INCLINAISON	1	1		
26	682-43318-01	COVER CAPUCHON	1	1		

FIG. 19 BRACKET 1

SUPPORT 1

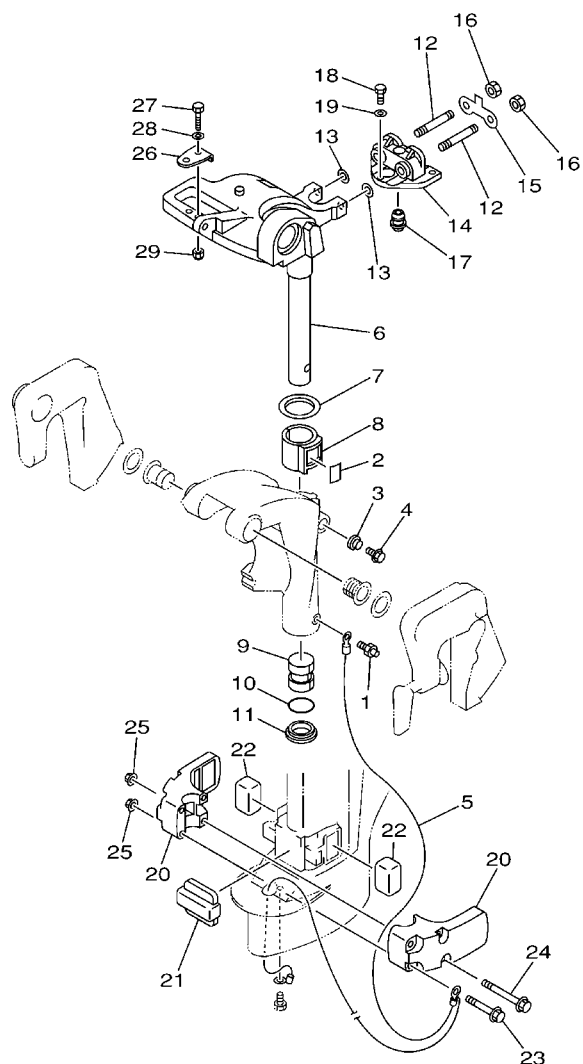


REF. NO.	PART NO. N° PIECES	DESCRIPTION DESCRIPTION	MH	E				REMARKS REMARQUES
27	63V-43191-00	SHAFT, STOPPER AXE, BUTEE	1	1				
28	90202-07M60	WASHER, PLATE RONDELLE, PLATE	1	1				
29	90387-07M07	COLLAR COLLERETTE	1	1				
30	90386-07M95	BUSH DOUILLE	1	1				
31	66M-43350-01	RECEIVER ASSY RECEIVER ASSY	1	1				
32	90507-20M00	SPRING, TENSION RESSORT, TENSION	1	1				
33	63V-43641-01	LEVER, TILT LEVIER, INCLINAISON	1	1				
34	90157-05014	SCREW, PAN HEAD VIS, TETE TRONCONIQUE	1	1				
35	99080-05600	CIRCLIP CIRCLIP	2	2				
36	63V-43614-10	PLATE, TILT LOCK ETRIER, VERROUILLAGE MARCHE AR	1	1				
37	90508-18M41	SPRING, TORSION RESSORT, TORSION	1	1				
38	66R-43615-00	PLATE, TILT LOCK ETRIER, VERROUILLAGE MARCHE AR	1	1				
39	66R-43611-00	SHAFT, TILT LOCK AXE, VERROUILLAGE MARCHE AR	1	1				
40	93430-04M03	CIRCLIP CLIPS	1	1				
41	63V-43659-00	SHAFT, REVERSE LOCK AXE, VERROUILLAGE MARCHE AR	1	1				
42	99080-05600	CIRCLIP CIRCLIP	1	1				
43	66R-43617-00	ROD, TILT LOCK TIGE	1	1				
44	63V-43656-00	SPRING, REVERSE LOCK 1 RESSORT	1	1				
45	63V-43181-00	LEVER, TILT STOP LEVIER, VERROUILLAGE RELEVAGE	2	2				
46	90109-06M84	BOLT BOULON	4	4				
47	90206-10M24	WASHER, WAVE RONDELLE, ONDULEE	2	2				

66M3300-C190

FIG. 20 BRACKET 2

SUPPORT 2

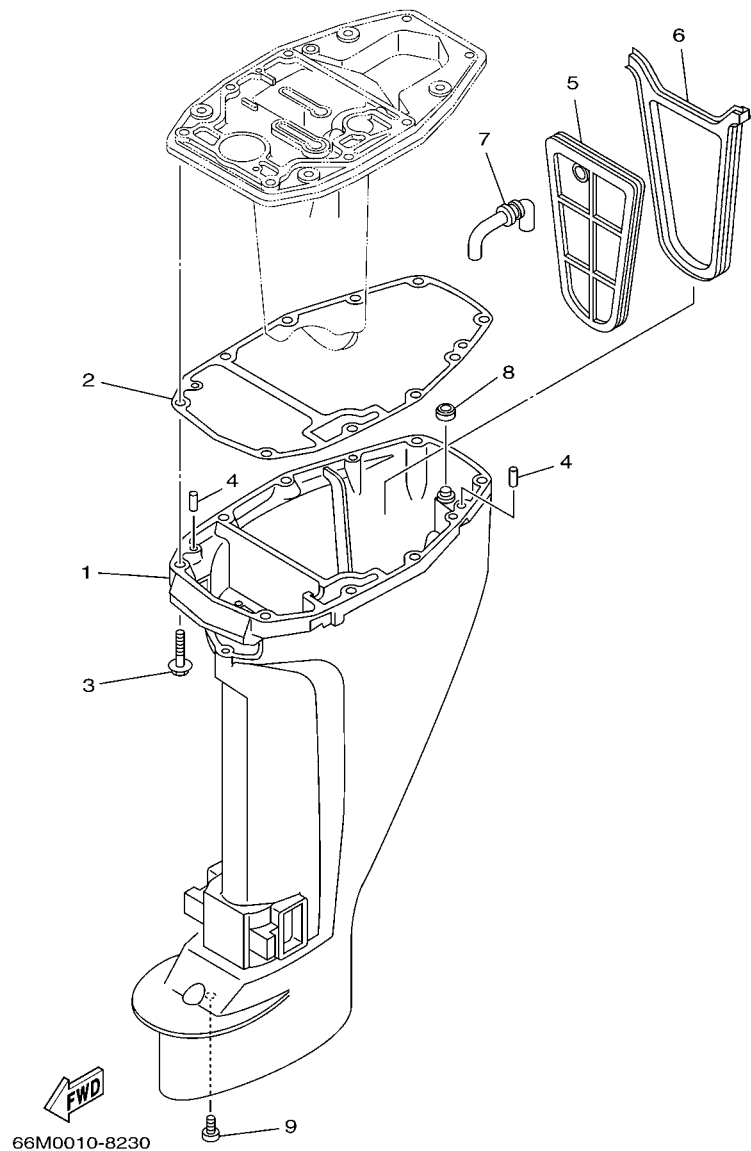


66M0300-1200

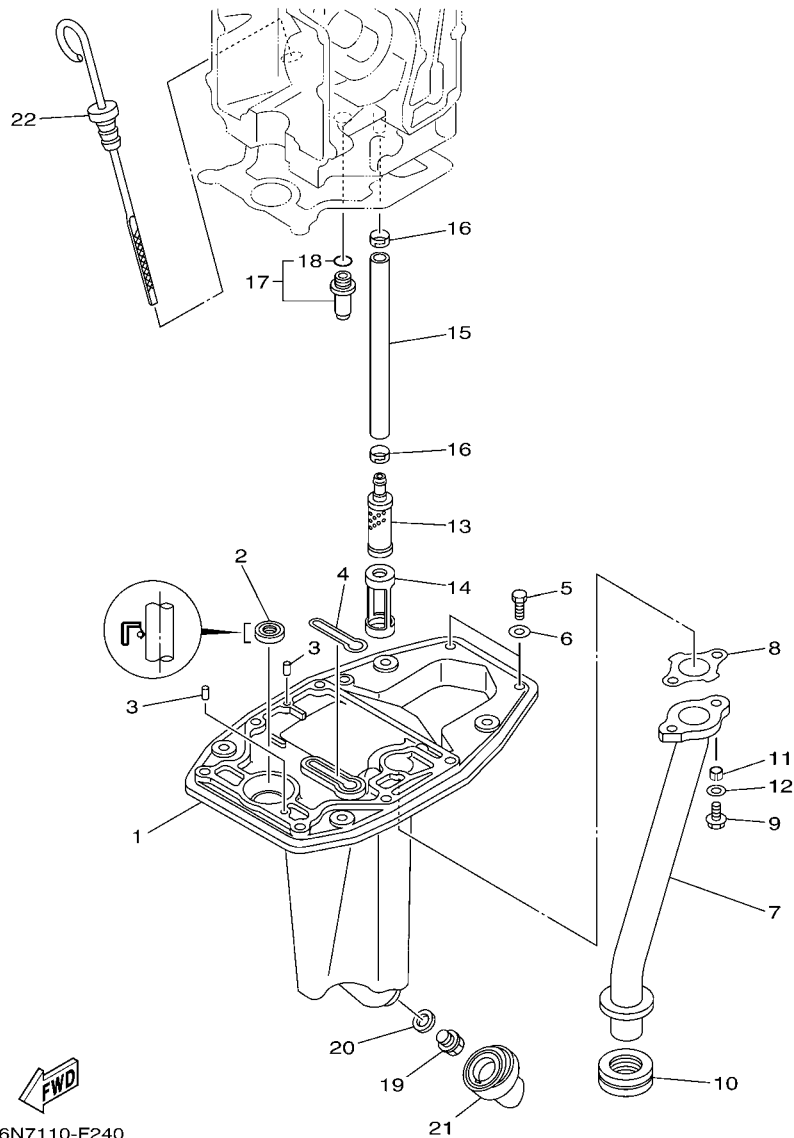
REF. NO.	PART NO. N° PIECES	DESCRIPTION DESCRIPTION	MH	U		REMARKS REMARQUES
1	93700-06M03	NIPPLE, GREASE PION	1	1		
2	63V-42528-00	PLATE, FRICTION PLAQUE, FRICTION	1	1		
3	689-43373-01	SEAL, DAMPER JOINT	1	1		
4	90105-06M07	BOLT, FLANGE BOULON	1	1		
5	66M-82127-00	WIRE, LEAD 2 FIL 2	1	1		
6	66M-42511-01-4D	BRACKET, STEERING CADRE, DIRECTION	1	1		S(17.3") S(17.3")
	66M-42511-11-4D	BRACKET, STEERING CADRE, DIRECTION	1	1		L(22.3") L(22.3")
7	90209-40008	WASHER, RONDILLE	1	1		
8	65F-42537-00	BUSHING, PIVOT SHAFT COUSSINET	1	1		
9	90386-30048	BUSH DOUILLE	1	1		
10	93210-29M94	O-RING JOINT TORIQUE	1	1		
11	90386-30M60	BUSH DOUILLE	1	1		
12	90116-08M54	BOLT, STUD GOUJON	2	2		
13	90201-08M06	WASHER, PLATE RONDILLE, PLATE	2	2		
14	66M-44514-00-4D	MOUNT DAMPER, UPPER SIDE SILENT-BLOC, SUPERIEUR LATERAL	1	1		
15	66M-44526-00	PLATE PLAQUE	1	1		
16	95380-08600	NUT ECROU	2	2		
17	66M-44366-00	DAMPER, WATER SEAL JOINT, TUBE D'EAU	1	1		
18	97075-06025	BOLT BOULON	3	3		
19	92995-06600	WASHER RONDILLE	3	3		
20	66M-44551-00-4D	HOUSING, LOWER MOUNT RUBBER BOITIER, SILENT-BLOC INFERIEUR	2	2		
21	66M-44557-00	MOUNT DAMPER, LOWER FRONT SILENT-BLOC, INFERIEUR AVANT	1	1		
22	682-44555-30	MOUNT DAMPER, LOWER SIDE SILENT-BLOC, INFERIEUR LATERAL	2	2		
23	90119-08M45	BOLT, WITH WASHER BOULON, AVEC RONDILLE	2	2		
24	90119-08M46	BOLT, WITH WASHER BOULON, AVEC RONDILLE	2	2		
25	90179-08M34	NUT ECROU	4	4		
				1		

FIG. 21 UPPER CASING

FOURREAU



REF. NO.	PART NO. N° PIECES	DESCRIPTION DESCRIPTION	MH	E				REMARKS REMARQUES
1	66M-45111-00-4D	CASING, UPPER FOURREAU	1	1				S(17.3") S(17.3")
	66M-45111-10-4D	CASING, UPPER FOURREAU	1	1				L(22.3") L(22.3")
2	66M-45113-00	GASKET, UPPER CASING JOINT, TUBE D'ARBRE	1	1				
3	97575-08545	BOLT, WITH WASHER VIS HEXAGONAL AVC RONDELLE	6	6				
4	93606-12019	PIN, DOWEL GOUPILLE	2	2				
5	66M-45126-00	PLATE, SEAL DAMPER PLAQUETTE	1	1				
6	66M-45115-00	GASKET, UPPER CASING JOINT, TUBE D'ARBRE	1	1				
7	66M-45136-00	PIPE DURITE	1	1				
8	66M-45128-00	SEAL 2 JOINT 2	1	1				
9	90157-06M06	SCREW, PAN HEAD VIS, TETE TRONCONIQUE	1	1				



66N7110-F240

FIG. 22 OIL PAN

VENTILATEUR D'HUILE

REF. NO.	PART NO. N° PIECES	DESCRIPTION DESCRIPTION	MH	U			REMARKS REMARQUES
1	66M-41137-00-5B	GUIDE, EXHAUST COLLECTEUR D'ECHAPPEMENT	1	1			
2	93101-12M63	OIL SEAL JOINT SPY	1	1			
3	93606-12019	PIN, DOWEL GOUPILLE	2	2			
4	66M-11355-00	SEAL, CYLINDER 1 JOINT, SPY CYLINDRE	1	1			
5	97095-06020	BOLT BOULON	2	2			
6	92995-06600	WASHER RONDELLE	2	2			
7	6D4-41131-00-94	MANIFOLD, EXT. 1 PIPE D'ECHAPPEMENT	1	1			
8	66M-41133-01	GASKET, EXHAUST MANIFOLD 1 JOINT, PIPE D'ECHAPPEMENT	1	1			
9	90119-06090	BOLT, WITH WASHER BOULON, AVEC RONDELLE	2	2			
10	6D4-41138-00	SEAL, EXT. 1 JOINT DE GROUPE 1	1	1			
11	90387-05008	COLLAR COLLERETTE	2	2			
12	90201-06015	WASHER, PLATE RONDELLE, PLATE	2	2			
13	66M-13421-00	STRAINER 2 FILTRE 2	1	1			
14	66M-13417-00	COVER, STRAINER COUVERCLE, FILTRE	1	1			
15	66M-13416-00	PIPE, OIL 1 DURITE A HUILE	1	1			
16	66M-24351-00	BAND 1 COLLIER 1	2	2			
17	6G8-11575-00	RELIEF VALVE ASSY SOUPEPE DE RENTREE D'AIR	1	1			
18	93210-12M62	.O-RING JOINT TORIQUE	1	1			
19	90340-14M06	PLUG, STRAIGHT SCREW PLOT, FILETE DROIT	1	1			
20	90430-14M09	GASKET JOINT	1	1			
21	66M-15316-00	DAMPER, ENGINE MOUNT 1 AMORTISSEUR DE SUPPORT	1	1			
22	66M-15362-00	PLUG, OIL LEVEL PLOT, NIVEAU D'HUILE	1	1			

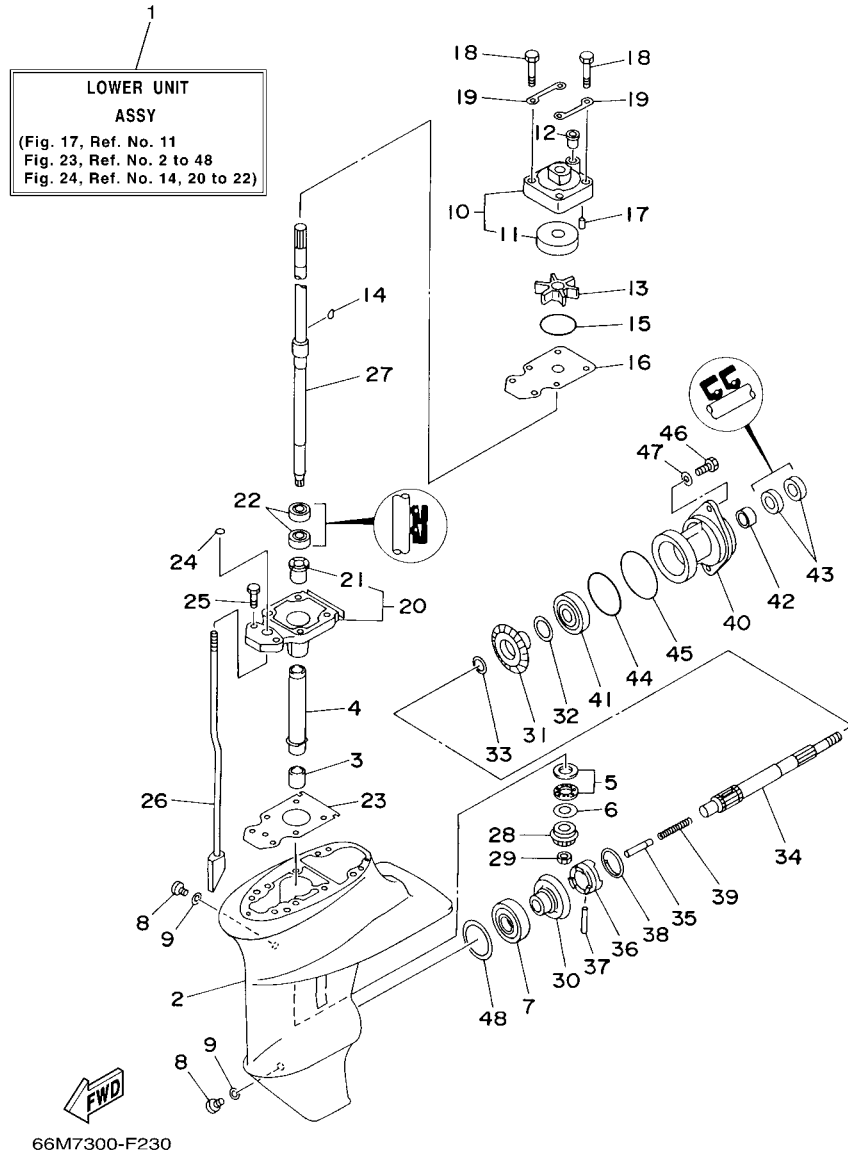


FIG. 23 LOWER CASING & DRIVE 1 BOITIER D'HELICE TRANSMISSION1

REF. NO.	PART NO. N° PIECES	DESCRIPTION DESCRIPTION	MH	U	REMARKS REMARQUES
1	66M-45300-02-4D	LOWER UNIT ASSY UNITE INFÉRIEURE (ENS.)	1	1	S(17.3") S(17.3")
	66M-45300-11-4D	LOWER UNIT ASSY UNITE INFÉRIEURE (ENS.)	1	1	L(22.3") L(22.3")
2	66M-45311-01-4D	CASING, LOWER BOITIER D'HELICE	1	1	S(17.3") S(17.3")
	63V-45311-01-4D	CASING, LOWER BOITIER D'HELICE	1	1	L(22.3") L(22.3")
3	93315-314V8	BEARING ROULEMENT	1	1	
4	63V-45536-00	SLEEVE, DRIVE SHAFT MANCHON, ARBRE MOTEUR	1	1	
5	93341-41414	BEARING CERVEAUX DE DIRECTION	1	1	
6	6E8-45587-10	SHIM (T:1.13MM) CALE (T:1.13MM)	1	1	UR
	6E8-45587-30	SHIM (T:1.20MM) CALE (T:1.20MM)	1	1	UR
7	93332-00005	BEARING ROULEMENT	1	1	UR
8	90340-08002	PLUG, STRAIGHT SCREW PLOT, FILETE DROIT	2	2	
9	90430-08020	GASKET JOINT	2	2	
10	63V-44301-00	WATER PUMP HOUSING COMP. CARTER, POMPE A EAU (ENS)	1	1	
11	63V-44322-00	.INSERT, CARTRIDGE .CUVETTE	1	1	
12	647-44366-00	DAMPER, WATER SEAL JOINT, TUBE D'EAU	1	1	
13	63V-44352-01	IMPELLER TURBINE	1	1	
14	664-44338-00	KEY, WOODRUFF CLAVETTE, VOLANT	1	1	
15	93210-44398	O-RING JOINT TORIQUE	1	1	
16	63V-44323-00	OUTER PLATE, CARTRIDGE PLAQUE EXTERIEURE	1	1	
17	93604-12M07	PIN, DOWEL CLAVETTE	2	2	
18	97080-08045	BOLT BOULON	4	4	
19	63V-44328-00	PLATE PLAQUETTE	2	2	
20	63V-45331-00-5B	HOUSING, BEARING FLASQUE, ROULEMENT	1	1	
21	626-45316-09	.BUSHING, DRIVE SHAFT .DOUILLE, ARBRE MOTEUR	1	1	
22	93101-20001	OIL SEAL JOINT SPY	2	2	
23	63V-45315-A0	PACKING, LOWER CASING JOINT, BOITIER D'HELICE	1	1	
24	93210-06ME6	O-RING JOINT TORIQUE	1	1	

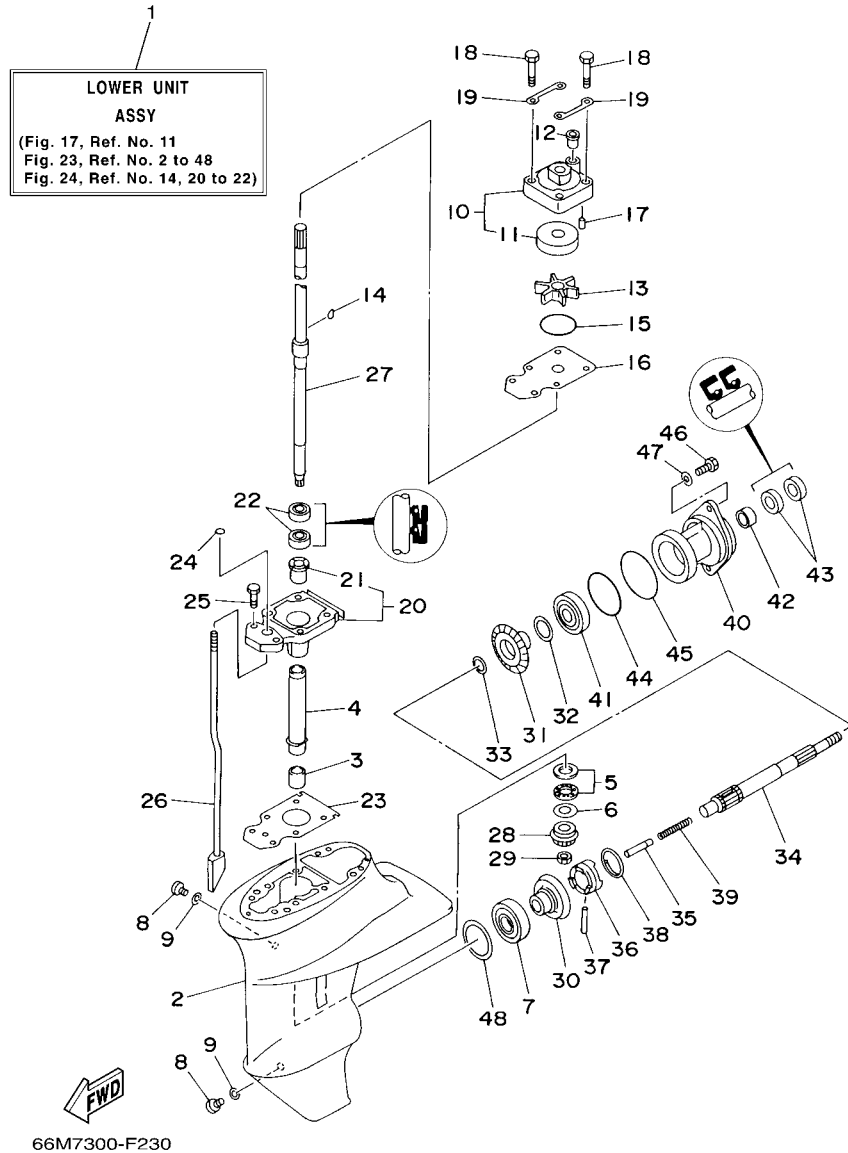
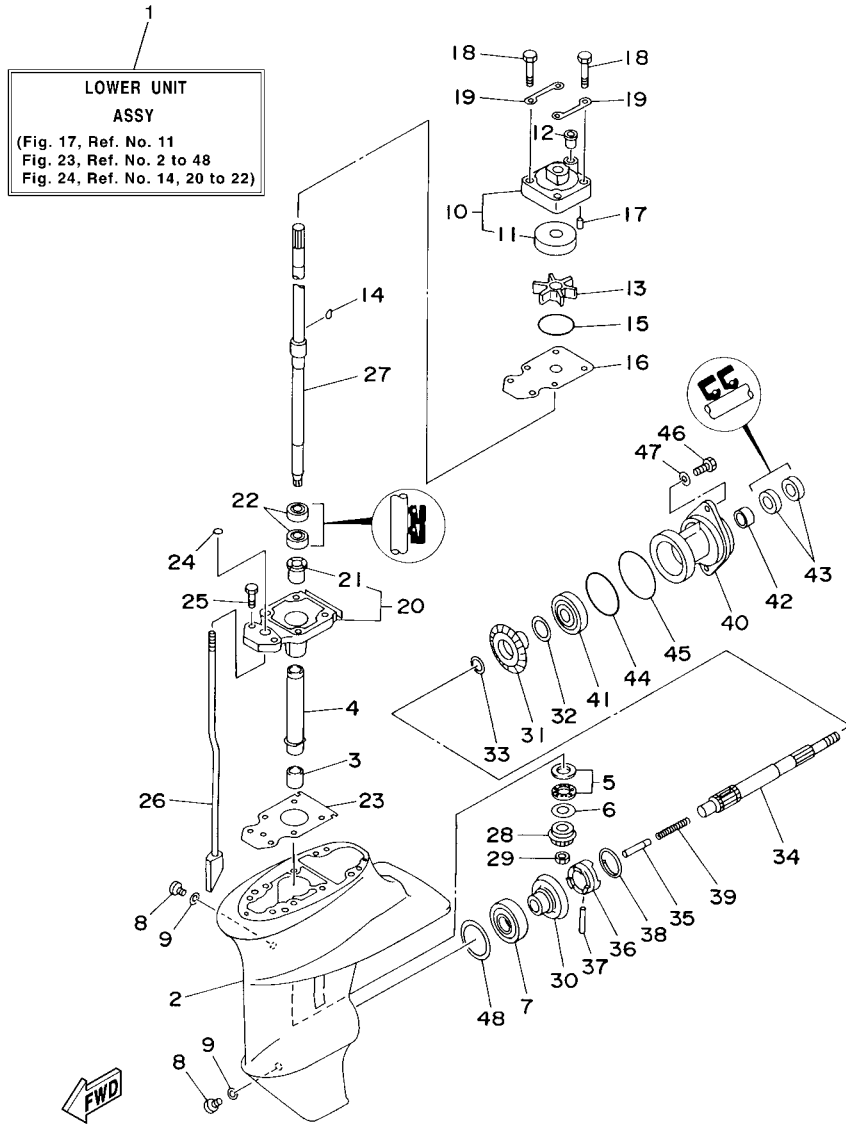


FIG. 23 LOWER CASING & DRIVE 1

BOITIER D'HELICE TRANSMISSION1

REF. NO.	PART NO. N° PIECES	DESCRIPTION DESCRIPTION	MH	U	REMARKS REMARQUES
25	97080-08025	BOLT BOULON	2	2	
26	63V-44150-00	SHIFT CAM ASSY CAME D'INVERSION	1	1	S(17.3") S(17.3")
	66M-44150-10	SHIFT CAM ASSY CAME D'INVERSION	1	1	L(22.3") L(22.3")
27	63V-45510-01	DRIVE SHAFT ASSY ARBRE MOTEUR (ENS.)	1	1	S(17.3") S(17.3")
	63V-45510-11	DRIVE SHAFT ASSY ARBRE MOTEUR (ENS.)	1	1	L(22.3") L(22.3")
28	63V-45551-00	PINION (13T) PIGNON D'ATTAQUE (13D)	1	1	
29	90179-08M06	NUT ECROU	1	1	
30	6E7-45560-01	GEAR 1 (27T) PIGNON 1 (27T)	1	1	
31	6E7-45571-00	GEAR 2 (27T) PIGNON 2 (27T)	1	1	
32	626-45577-00	SHIM (T:0.10MM) CALE (T:0.10MM)	1	1	UR UR
	626-45577-10	SHIM (T:0.20MM) CALE (T:0.20MM)	1	1	UR UR
	626-45577-20	SHIM (T:0.30MM) CALE (T:0.30MM)	1	1	UR UR
	626-45577-30	SHIM (T:0.40MM) CALE (T:0.40MM)	1	1	UR UR
	626-45577-40	SHIM (T:0.50MM) CALE (T:0.50MM)	1	1	UR UR
33	90201-17682	WASHER, PLATE RONDELLE, PLATE	1	1	
34	683-45611-00	SHAFT, PROPELLER ARBRE, HELICE	1	1	
35	650-45635-00	PLUNGER, SHIFT POUSSOIR D'EMBRAYAGE	1	1	
36	682-45631-00	CLUTCH, DOG CRABOT	1	1	
37	90250-05010	PIN, STRAIGHT GOUPILLE, DROITE	1	1	
38	648-45633-00	RING, CROSS PIN JONC, GOUPILLE CRABOT	1	1	
39	90501-14M06	SPRING, COMPRESSION RESSORT, COMPRESSION	1	1	
40	683-45361-02-4D	CAP, LOWER CASING COUVERCLE, BOITIER D'HELICE	1	1	
41	93306-00501	BEARING ROULEMENT	1	1	
42	93315-317U2	BEARING ROULEMENT	1	1	
43	93101-17054	OIL SEAL JOINT SPY	2	2	
44	93210-57M09	O-RING JOINT TORIQUE	1	1	
45	93210-56M80	O-RING JOINT TORIQUE	1	1	



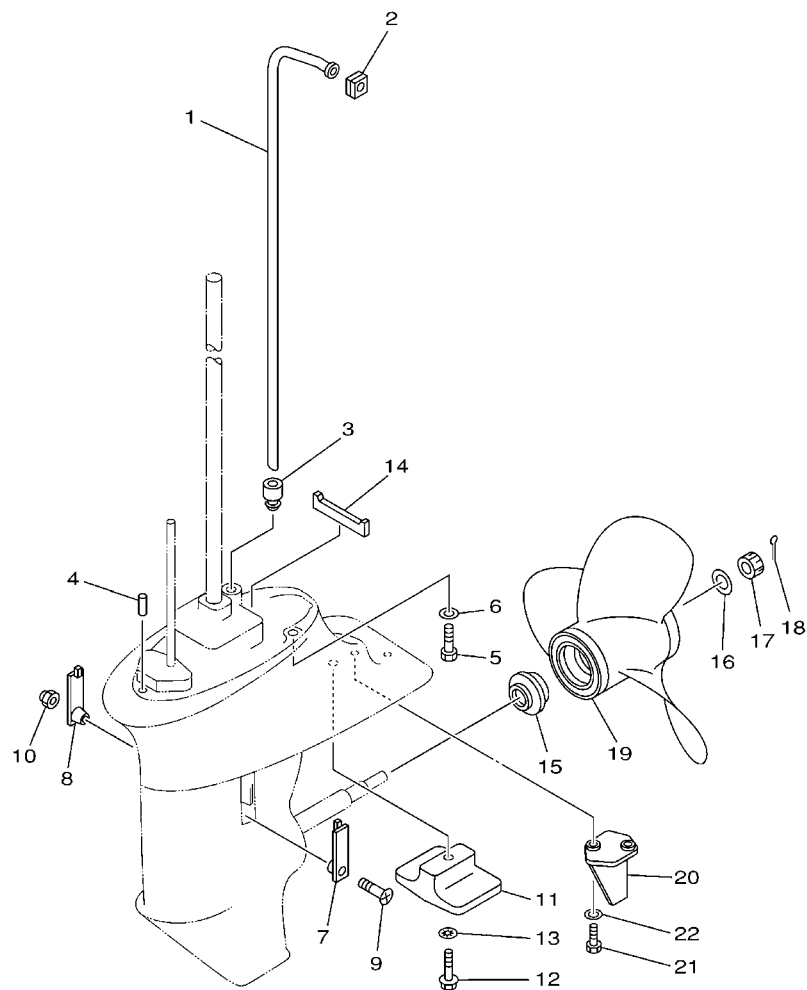
66M7300-F230

FIG. 23 LOWER CASING & DRIVE 1 BOITIER D'HELICE TRANSMISSION1

REF. NO.	PART NO. N° PIECES	DESCRIPTION DESCRIPTION	MH	E			REMARKS REMARQUES
46	97095-06020	BOLT BOULON	2	2			
47	92995-06600	WASHER RONDELLE	2	2			
48	664-45567-01	SHIM (T:0.10MM) CALE (T:0.10MM)	1	1			UR UR
	664-45567-10	SHIM (T:0.12MM) CALE (T:0.12MM)	1	1			UR UR
	664-45567-20	SHIM (T:0.15MM) CALE (T:0.15MM)	1	1			UR UR
	664-45567-30	SHIM (T:0.18MM) CALE (T:0.18MM)	1	1			UR UR
	664-45567-40	SHIM (T:0.30MM) CALE (T:0.30MM)	1	1			UR UR
	664-45567-50	SHIM (T:0.40MM) CALE (T:0.40MM)	1	1			UR UR
	664-45567-60	SHIM (T:0.50MM) CALE (T:0.50MM)	1	1			UR UR

FIG. 24 LOWER CASING & DRIVE 2

BOITIER D'HELICE TRANSMISSION2

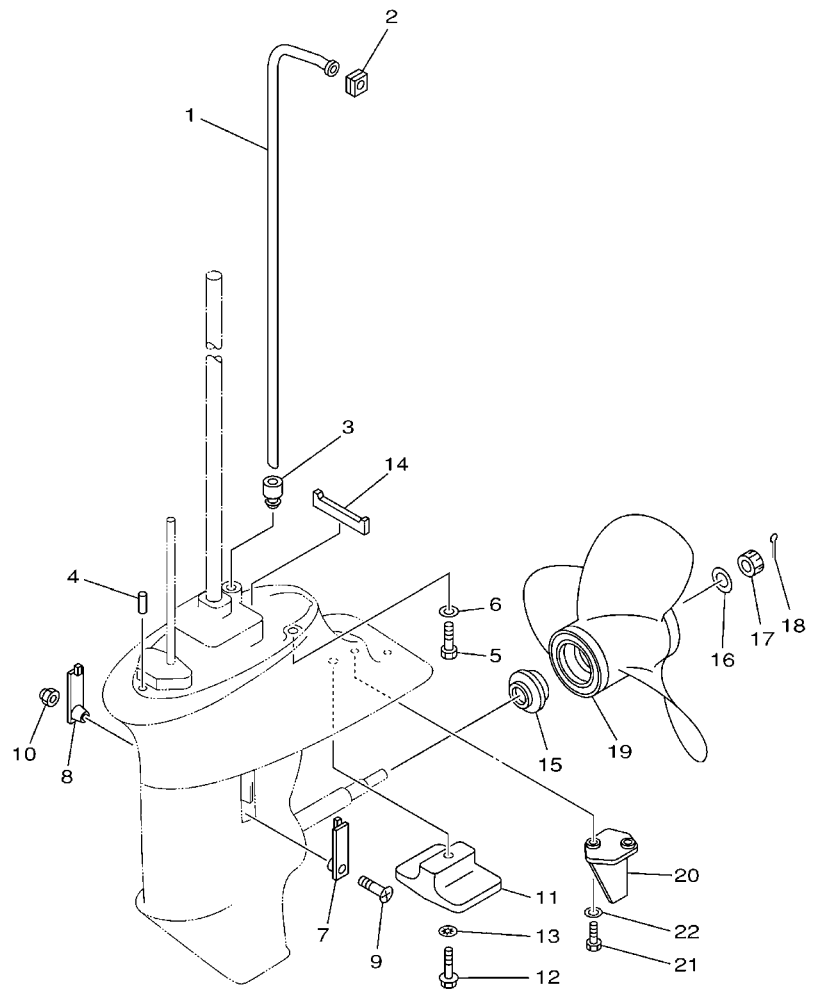


FWD
69A0300-0230

REF. NO.	PART NO. N° PIECES	DESCRIPTION DESCRIPTION	M	U	U		REMARKS REMARQUES
1	66M-44361-00	TUBE, WATER TUBE D'EAU	1	1	1		S(17.3") S(17.3")
	66M-44361-10	TUBE, WATER TUBE D'EAU	1	1	1		L(22.3") L(22.3")
2	63V-44365-10	DAMPER, WATER SEAL JOINT, TUBE D'EAU	1	1	1		
3	63V-44368-00	RUBBER, WATER SEAL 4 CAOUTCHOUC EAU JUNTA 4	1	1	1		
4	93604-12M07	PIN, DOWEL CLAVETTE	2	2	2		
5	97075-08030	BOLT BOULON	4	4	4		
6	92995-08600	WASHER RONDELLE	4	4	4		
7	6G1-45214-00	COVER, WATER INLET 1 GRILLE, ENTREE D'EAU 1	1	1	1		
8	63V-45215-00	COVER, WATER INLET 2 GRILLE, ENTREE D'EAU 2	1	1	1		
9	90152-05M04	SCREW, COUNTERSUNK VIS, TETE NOYEE	1	1	1		
10	90185-05002	NUT, SELF-LOCKING ECROU, AUTO-BLOQUANT	1	1	1		
11	61N-45251-01	ANODE ANODE	1	1	1		
12	95895-06030	BOLT, FLANGE BOULON	1	1	1		
13	92990-06300	WASHER, INTERNAL TOOTH RONDELLE, DENTURE INTERNE	1	1	1		
14	63V-45375-00	DAMPER, SEAL BOURRELET, CAOUTCHOUC	1	1	1		
15	6E7-45987-01	SPACER ENTRETOISE	1	1	1		
16	90201-10M01	WASHER, PLATE RONDELLE, PLATE	1	1	1		
17	90171-10M01	NUT, CASTLE ECROU, CRENELE	1	1	1		
18	91490-30020	PIN, COTTER GOUPILLE	1	1	1		
19	2506120	PROPELLER SOLAS (YA-3X9,25"X7") HELICE SOLAS (YA-3X9,25"X7")	1	1	1		UR UR
	2506130	PROPELLER SOLAS (YA-3X9,25"X8") HELICE SOLAS (YA-3X9,25"X8")	1	1	1		UR UR
	2506140	PROPELLER SOLAS (YA-3X9,25"X9") HELICE SOLAS (YA-3X9,25"X9")	1	1	1		UR UR
	2506150	PROPELLER SOLAS (YA-3X9,25"X10") HELICE SOLAS (YA-3X9,25"X10")	1	1	1		UR UR
	2506160	PROPELLER SOLAS (YA-3X9,25"X11") HELICE SOLAS (YA-3X9,25"X11")	1	1	1		UR UR
20	66M-45371-00	TAB-TRIM ANODE DERIVE	1	1	1		S(17.3") S(17.3")

FIG. 24 LOWER CASING & DRIVE 2

BOITIER D'HELICE TRANSMISSION2



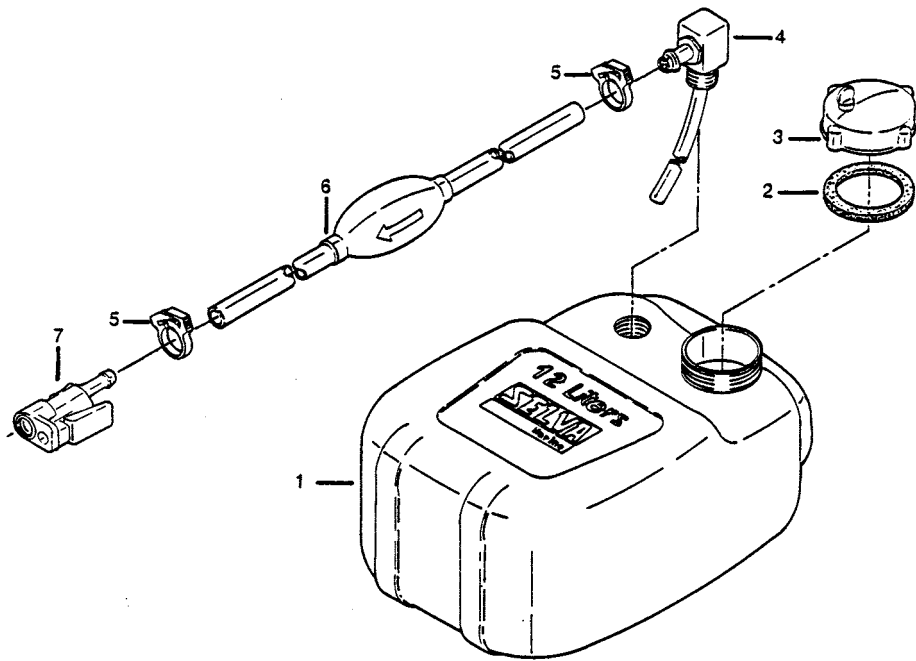

69A0300-0230

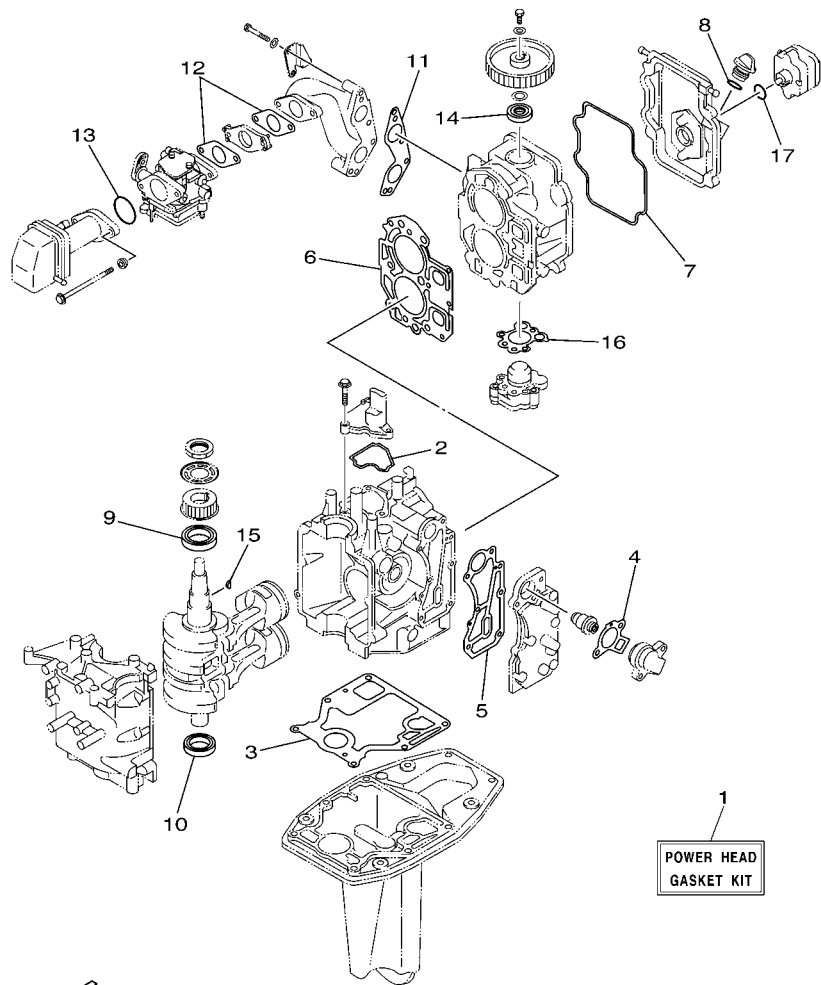
REF. NO.	PART NO. N° PIECES	DESCRIPTION DESCRIPTION	MH	E	REMARKS REMARQUES
21	97095-06016	BOLT BOULON	2	2	S(17.3") S(17.3")
22	92995-06600	WASHER RONDELLE	2	2	S(17.3") S(17.3")

FIG. 26 FUEL TANK 12 L

RESEVOIR A ESSENCE 12 L

REF. NO.	PART NO. NO. PIECES	DESCRIPTION DESCRIPTION	Σ	ω				REMARKS REMARQUES
1	8085070	COMPLETE FUEL TANK 12 L RESEVOIR A ESSENCE (ENS.) 12 L	1	1				
2	3540275	GASKET JOINT	1	1				
3	1598845	FUEL TANK PLUG (POS. NO 2+3) BOUCHON (ENS.) (POS. 2+3)	1	1				
4	8055075	COMPLETE FUEL SUCTION DURITE DE SUCCION	1	1				
5	8055101	CLAMP COLLIER	1	1				
6	8050270	FUEL HOSE DURITE A ESSENCE	1	1				
7	6G1-24305-01	FUEL CONNECTOR - FEMALE DURITE RACCORDEMENT A ESSENCE	1	1				
	1575260	FUEL TANK WITH PIPE RESEVOIR A ESSENCE + DURITE	1	1				
	1581280	COMPLETE PIPE (POS.NO. 5+6+7) DURITE A ESSENCE (ENS) (POS. 5+6+7)	1	1				





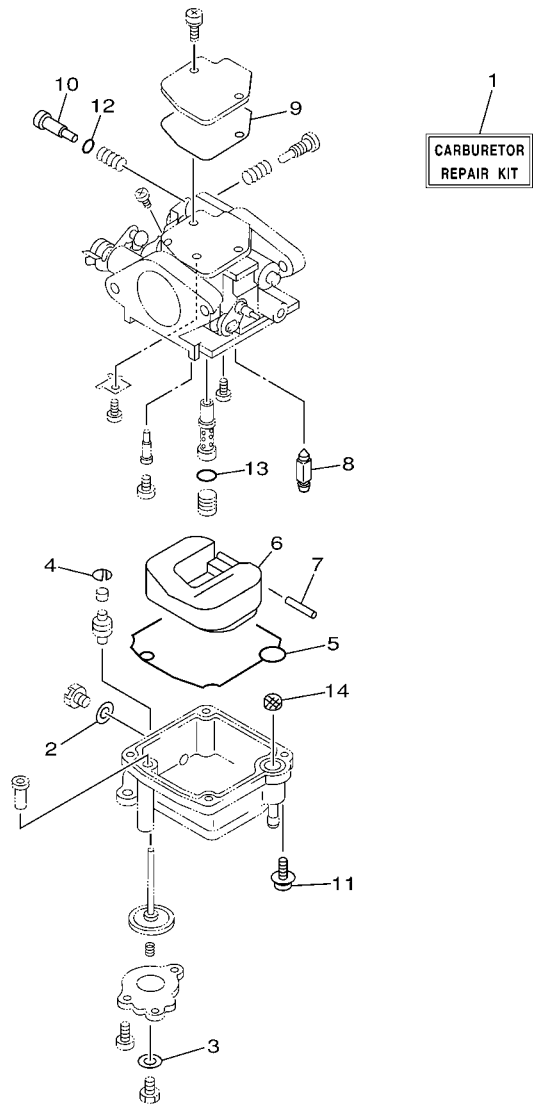
1
POWER HEAD
GASKET KIT

FWD
6D41200-C280

FIG. 29 REPAIR KIT 1

KITS DE REPARATION 1

REF. NO.	PART NO. N° PIECES	DESCRIPTION DESCRIPTION	MH	U			REMARKS REMARQUES
1	66M-W0001-02	POWER HEAD GASKET KIT POCHETTE DE JINTS TETE MOTRICE	1	1			
2	66M-11357-00	.SEAL, CYLINDER 3 .JOINT, SPY CYLINDRE	1	1			
3	66M-11351-10	.GASKET, CYLINDER .JOINT, D'EMBASE	1	1			
4	62Y-12414-00	.GASKET, COVER .JOINT, COUVERCLE	1	1			
5	66M-41114-01	.GASKET, EXHAUST OUTER COVER .JOINT, COUVERCLE D'ECHAPPEMEN	1	1			
6	66M-11181-10	.GASKET, CYLINDER HEAD 1 .JOINT, DE CULASSE 1	1	1			
7	66M-11356-00	.SEAL, CYLINDER 2 .JOINT, SPY CYLINDRE	1	1			
8	93210-24M79	.O-RING .JOINT TORIQUE	1	1			
9	93102-35M51	.OIL SEAL .JOINT SPY	1	1			
10	93102-25M52	.OIL SEAL .JOINT SPY	1	1			
11	66M-13645-00	.GASKET, MANIFOLD 1 .JOINT, TUBULURE 1	1	1			
12	66M-13646-00	.GASKET, MANIFOLD 2 .JOINT, TUBULURE 2	2	2			
13	93210-35M86	.O-RING .JOINT TORIQUE	1	1			
14	93102-18M21	.OIL SEAL .JOINT SPY	1	1			
15	90280-03M01	.KEY, WOODRUFF .CLAVETTE, DEMI-LUNE	1	1			
16	66M-13329-10	.GASKET, PUMP COVER .JOINT, COUVERCLE DE POMPE	1	1			
17	93210-20M65	.O-RING .JOINT TORIQUE	1	1			



FWD
66M0100-8280

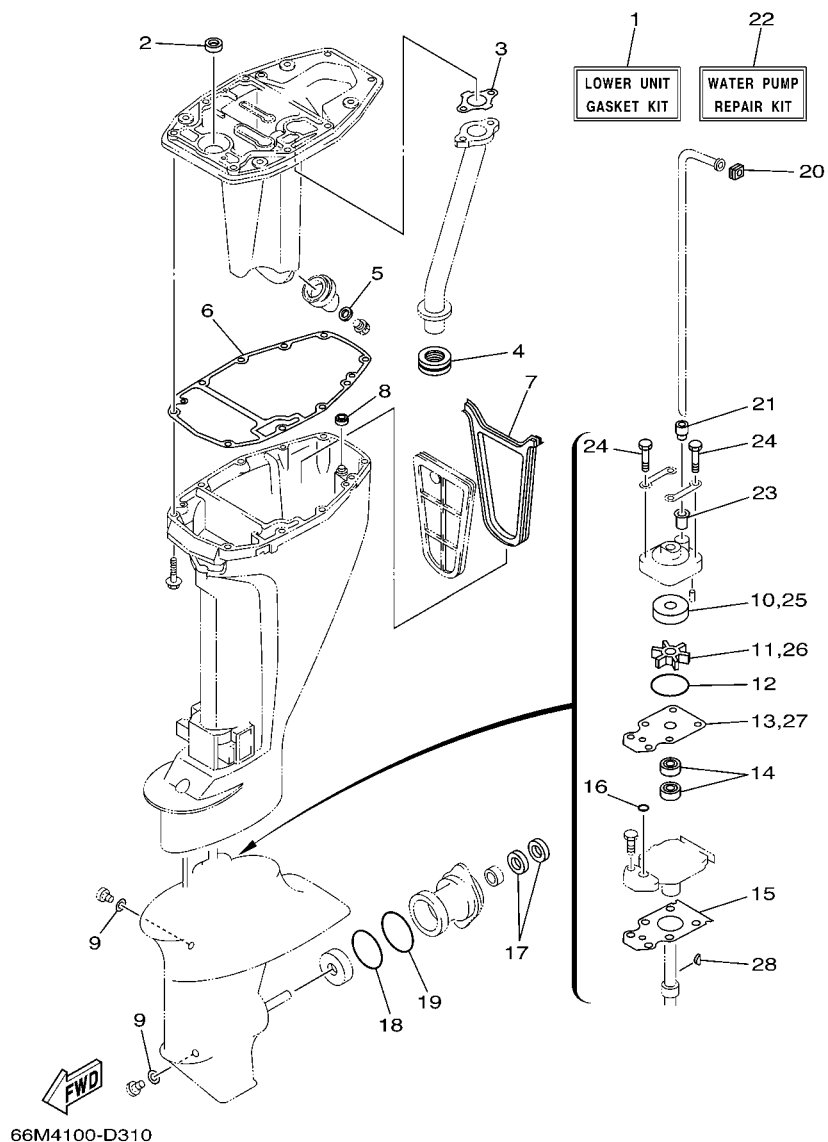
FIG. 30 REPAIR KIT 2

KITS DE REPARATION 2

REF. NO.	PART NO. N° PIECES	DESCRIPTION DESCRIPTION	MH	U				REMARKS REMARQUES
1	66M-W0093-01	CARBURETOR REPAIR KIT KIT DE REPARATION CARBURATEUR	1	1				
2	66M-14398-00	.GASKET .JOINT	1	1				
3	6L2-14398-00	.GASKET .JOINT	1	1				
4	66M-14377-00	.STOPPER .BUTEE	1	1				
5	66M-14384-00	.GASKET, FLOAT CHAMBER .JOINT, CUVE DE FLOTTEUR	1	1				
6	6L2-14385-00	.FLOAT .FLOTTEUR	1	1				
7	6E5-14386-01	.PIN, FLOAT .AXE, FLOTTEUR	1	1				
8	6L2-14392-00	.VALVE, NEEDLE .POINTEAU	1	1				
9	62Y-14399-00	.GASKET .JOINT	1	1				
10	5H0-14323-00	.SCREW, AIR ADJUSTING .VIS DE DOSEUR D'AIR	1	1				
11	97980-04112	.SCREW, WITH WASHER .VIS, AVEC RONDELLE	4	4				
12	62Y-14397-00	.O-RING .JOINT TORIQUE	1	1				
13	6F5-14397-00	.O-RING .JOINT TORIQUE	1	1				
14	66M-14827-00	.FILTER .FILTRE	1	1				

FIG. 31 REPAIR KIT 3

KITS DE PERARATION 3



REF. NO.	PART NO. N° PIECES	DESCRIPTION DESCRIPTION	MH	U			REMARKS REMARQUES
1	66M-W0001-21	LOWER UNIT GASKET KIT POCHETTE DE JOINTS EMBASE	1	1			
2	93101-12M63	.OIL SEAL .JOINT SPY	1	1			
3	66M-41133-01	.GASKET, EXHAUST MANIFOLD 1 .JOINT, PIPE D'ECHAPPEMENT	1	1			
4	6D4-41138-00	.SEAL, EXT. 1 .JOINT DE GROUPE 1	1	1			
5	90430-14M09	.GASKET .JOINT	1	1			
6	66M-45113-00	.GASKET, UPPER CASING .JOINT, TUBE D'ARBRE	1	1			
7	66M-45115-00	.GASKET, UPPER CASING .JOINT, TUBE D'ARBRE	1	1			
8	66M-45128-00	.SEAL 2 .JOINT 2	1	1			
9	90430-08020	.GASKET .JOINT	2	2			
10	63V-44322-00	.INSERT, CARTRIDGE .CUVETTE	1	1			
11	63V-44352-01	.IMPELLER .TURBINE	1	1			
12	93210-44398	.O-RING .JOINT TORIQUE	1	1			
13	63V-44323-00	.OUTER PLATE, CARTRIDGE .PLAQUE EXTERIEURE	1	1			
14	93101-20001	.OIL SEAL .JOINT SPY	2	2			
15	63V-45315-A0	.PACKING, LOWER CASING .JOINT, BOITIER D'HELICE	1	1			
16	93210-06ME6	.O-RING .JOINT TORIQUE	1	1			
17	93101-17054	.OIL SEAL .JOINT SPY	2	2			
18	93210-57M09	.O-RING .JOINT TORIQUE	1	1			
19	93210-56M80	.O-RING .JOINT TORIQUE	1	1			
20	63V-44365-10	.DAMPER, WATER SEAL .JOINT, TUBE D'EAU	1	1			
21	63V-44368-00	.RUBBER, WATER SEAL 4 .CAOUTCHOUC EAU JUNTA 4	1	1			
22	63V-W0078-00	WATER PUMP REPAIR KIT KIT DE REPARATION DE LA POMPE	1	1			
23	647-44366-00	.DAMPER, WATER SEAL .JOINT, TUBE D'EAU	1	1			
24	97080-08045	.BOLT .BOULON	4	4			
25	63V-44322-00	.INSERT, CARTRIDGE .CUVETTE	1	1			
26	63V-44352-01	.IMPELLER .TURBINE	1	1			
27	63V-44323-00	.OUTER PLATE, CARTRIDGE .PLAQUE EXTERIEURE	1	1			

